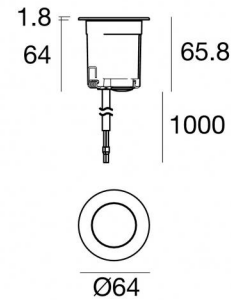




Uplights | 1 x powerLED 3 W DC 24 V | CRI 80  
**C00103SAMUS**



Technical data	
Type	Drive Over
Installation position	Floor
Installation environment	Outdoor
Light Source	LED
Circuit structure	powerLED
Optics	Ultra Spot
Light emission direction	upward
Nominal power	3 W DC
Source lumens	174 lm
Input voltage range	24 V
CCT / Tone	2700 K
Colour rendering index	80 Ra
C.C. / C.V.	CV
Safety class	3
IP	IP68
Installation limitations	Not for underwater use
IK	IK09
Glow wire test	850°
Direct mounting on normally flammable surfaces	Yes
CE	Yes
Driver included	No
C.V. - C.C. Converter	Converter 24V included
Dimmable article	DALI - 1-10V
Directional	No
Tilting	No
Walk-over	Yes
Drive-over	2500 Kg
Cable included	Yes
Cable length	1 m
Resin potting	Yes
Type of light emission	Single emission
Net weight	0.31 Kg
Electrostatic discharge protection	No
Surge protection	No
Product technological characteristics	Acquastop - TVS





### Finishing casing

Material	Die-cast Aluminium EN AB - 46100
Colour	black
Processing	Open pore anodizing + Powder Coating

### Finishing flange

Material	AISI 316L steel
Colour	steel
Processing	Brushing

### Electronics

	89488 On/Off Driver 190~250V AC / 180~275V DC 15 W (1 - 5 art.)
	89179 On/Off Driver 198~264V AC 24 W (1 - 8 art.)
	89359 On/Off Driver 198~264V AC / 180~275V DC 48 W (1 - 16 art.)
	99331 On/Off Driver 198~264V AC / 176~275V DC 150 W (1 art.)
	99660 DALI - 1-10V Controller 24V DC 216 W (1 art.)
	83042 1-10V - Push and Simply Dim - DALI-2 Controller (1 art.)



## Uplights | 1 x powerLED 3 W DC 24 V | CRI 80 | Base C00103SAMUS

Single emission uplights for outdoor application. The super warm white LED light source with a ultra spot light distribution is composed of 1 powerled LEDs with CCT of 2700 K and a CRI 80; the source luminous flux is 174 lm, with a 58.0 lm/W nominal luminous efficacy.

The device body is made of die-cast aluminium en ab - 46100 and features a black finish, processed by means of open pore anodizing + powder coating. The ingress protection degree is IP68; the total weight is of 0.31 kg.

The total absorbed power is 3 W. The power supply cable is included and features a 1 m length.

The device features protection class III and can be floor-mounted with an outer casing, code 84936(for concrete or masonry).

Compliant with the EN 60598-1 standard and its specific provisions.

### Energy efficiency class

This product contains a light source of energy efficiency class F.

### Illuminotechnical Features

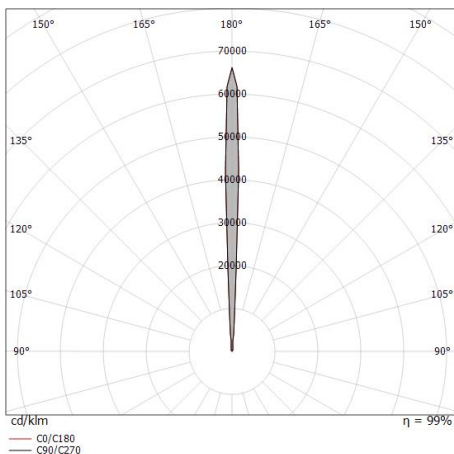
Light Output Ratio (LOR)	90 %
Source lumens	174 lm
Delivered lumens	158 lm
Consumption	3 W
Luminaire efficacy	52 lm/W
Colour temperature	2700 K
Standard Deviation of Colour Matching	1/16 ANSI BIN
Colour rendering index	80 Ra
Standard Operating Ambient Temperature	-20 / +50°C
Ordinary temperature on the glass	40°C

### LED Life / Failure Ratio

L70 B10 C0 78400h

### OPTICAL

C0/C180 optics	4°
Light distribution simmetry	Symmetrical



Distance [m]	Cone diameter [m]	E(180°) E(C0)	E(180°) E(C0)
3.0	0.23	1158 0	2.2°
2.5	0.19	1668 0	2.2°
2.0	0.15	2606 0	2.2°
1.5	0.12	4633 0	2.2°
1.0	0.08	10423 0	2.2°
0.5	0.04	41693 0	2.2°

Distance [m]      Cone diameter [m]      Illuminance [lx]

— C0/C180 (Half-peak divergence: 4.4°)



Suelo\_R | Uplights | Accessories  
**C00103SAMUS**



Outer casing

installation position: floor, land; type of installation: masonry L=92mm, H=69mm, D=69mm.

Material:ABS Plastic, colour:black.

**Code**

84936