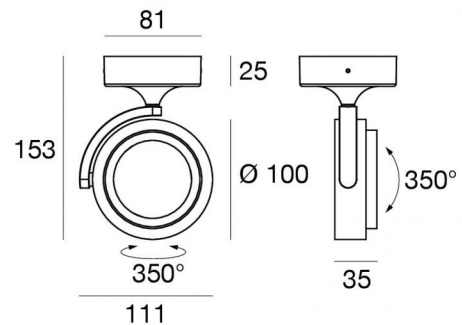


Ceiling Downlights - Projectors | 198-264 V  
1 arrayLED 9 W DC - 11 W AC | CRI 90

**9911M**



Technical data	
Type	--- Surface
Installation position	Wall lights - Ceiling
Installation environment	Indoor
Light Source	LED
Circuit structure	arrayLED
Optics	Spot
Light emission direction	downward
Nominal power	9 W DC
Total Power	11 W
Source lumens	910 lm
Nominal input voltage	220 - 240 V AC
Input voltage range	198 - 264 V AC
Frequency	50 - 60 Hz
CCT / Tone	2700 K
Colour rendering index	90 Ra
C.C. / C.V.	AC
Safety class	1
IP	IP20
Glow wire test	850°
Direct mounting on normally flammable surfaces	Yes
CE	Yes
Driver included	Driver
Dimmable article	Phase cut
Directional	Swivelling
total angle (vertical plane)	350 °
total angle (horizontal plane)	350 °
Tilting	No
Walk-over	No
Drive-over	No
Cable included	No
Resin potting	No
Type of light emission	Single emission
Net weight	0.6 Kg
Electrostatic discharge protection	Yes
Surge protection	Yes

### Finishing casing

Material	Aluminium
Colour	Black
Processing	Coating

### Finishing diffuser

Material	PC
Colour	opaline

## Ceiling Downlights - Projectors | 198-264 V | 1 arrayLED 9 W DC - 11 W AC | CRI 90 | Base 9911M

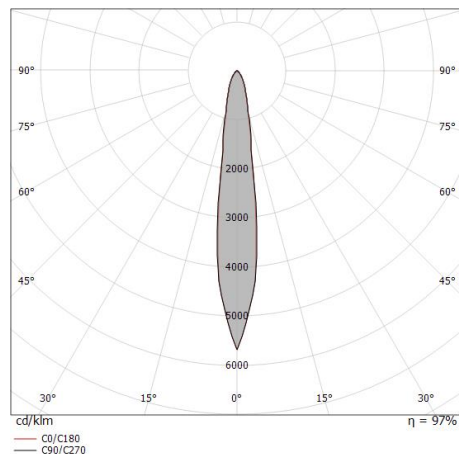
Single emission ceiling downlights, projectors or projectors for indoor application. The super warm white LED light source with a spot light distribution is composed of 1 topped LEDs with CCT of 2700 K and a CRI 90; the source luminous flux is 910 lm, with a 101.1 lm/W nominal luminous efficacy.

The device body is made of aluminium and features a black finish, processed by means of coating; the diffuser is made of PC. The ingress protection degree is IP20; the total weight is of 0.6 kg.

The total absorbed power is 11 W.

The device features protection class I and can be wall lights or ceiling-mounted.

Compliant with the EN 60598-1 standard and its specific provisions.



Distance [m]	Cone diameter [m]	Illuminance [lx]
0.5	0.14	$E(0^\circ)$ 18124 $E(C0)$ 8828
1.0	0.27	$E(0^\circ)$ 4531 $E(C0)$ 2207
1.5	0.41	$E(0^\circ)$ 2014 $E(C0)$ 981
2.0	0.54	$E(0^\circ)$ 1133 $E(C0)$ 552
2.5	0.68	$E(0^\circ)$ 725 $E(C0)$ 353
3.0	0.81	$E(0^\circ)$ 503 $E(C0)$ 245

Distance [m] Cone diameter [m] Illuminance [lx]

— C0/C180 (Half-peak divergence: 15.4°)

### Energy efficiency class

This product contains a light source of energy efficiency class F.

### Illuminotechnical Features

Light Output Ratio (LOR)	87 %
Source lumens	910 lm
Delivered lumens	796 lm
Consumption	11 W
Luminaire efficacy	72 lm/W
Colour temperature	2700 K
Standard Deviation of Colour Matching	3 Step MacAdam
Colour rendering index	90 Ra
Junction temperature (lighting fixture)	80
Standard Operating Ambient Temperature	25°C

### LED Life / Failure Ratio

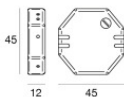
L80 B20 C0 80000h

### UGR

UGR axial	17.5
UGR transversal	17.5
X=4H   Y=8H	S=0.25H
Reflection factor	70/50/20

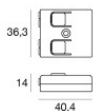
### OPTICAL

C0/C180 optics	15°
Light distribution symmetry	Symmetrical



Dimmer  
220-240V

**Code**  
KIT0026



Dimmer  
Radio-frequenza, 85-240V

**Code**  
KIT0080