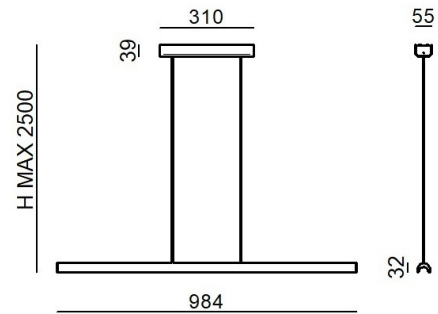


# Halfpipe 2



Pendant Luminaires | 220-240 V  
1 topLED 25 W DC - 28 W AC | CRI 90  
**9810**



## Technical data

Type	Pendant Luminaires
Installation position	Ceiling
Installation environment	Indoor
Light Source	LED
Circuit structure	topLED
Optics	Diffused
Light emission direction	downward
Nominal power	25 W DC
Total Power	28 W
Source lumens	3525 lm
Nominal input voltage	220 - 240 V AC
Input voltage range	220 - 240 V AC
Frequency	50 - 60 Hz
CCT / Tone	3000 K
Colour rendering index	90 Ra
C.C. / C.V.	AC
Safety class	1
IP	IP20
Glow wire test	850°
Direct mounting on normally flammable surfaces	Yes
CE	Yes
Driver included	Driver
Dimmable article	Phase cut
Directional	No
Tilting	No
Walk-over	No
Drive-over	No
Cable included	Yes
Cable length	5 m
Resin potting	No
Type of light emission	Single emission
Net weight	1.950 Kg
Electrostatic discharge protection	No
Surge protection	No

## Finishing casing

Material	Aluminium
Colour	Black
Processing	Coating

## Finishing diffuser

Material	PC
Colour	opaline

## Finishing mounting frame

Material	Iron
Colour	Black
Processing	Coating

## Cables Electrification+suspension

Max cable length	5000 mm
------------------	---------

# Halfpipe 2



Pendant Luminaires | 220-240 V | 1 topLED 25 W DC - 28 W AC | CRI 90 | Base 9810

Single emission pendant luminaires for indoor application. The warm white LED light source with a diffused light distribution is composed of 156 topLED LEDs with CCT of 3000 K and a CRI 90; the source luminous flux is 3525 lm, with a 141.0 lm/W nominal luminous efficacy.

The device body is made of aluminium and features a black finish, processed by means of coating; the diffuser is made of PC; the mounting frame is made of iron, with a black finish, processed by means of coating. The ingress protection degree is IP20; the total weight is of 1.950 kg.

The total absorbed power is 28 W. The power supply cable is included and features a 5 m length.

The device features protection class I and can be ceiling-mounted.

Compliant with the EN 60598-1 standard and its specific provisions.

### Energy efficiency class

This product contains a light source of energy efficiency class E.

### Illuminotechnical Features

Light Output Ratio (LOR)	38 %
Source lumens	3525 lm
Delivered lumens	1367 lm
Consumption	28 W
Luminaire efficacy	48 lm/W
Colour temperature	3000 K
Standard Deviation of Colour Matching	3 Step MacAdam
Colour rendering index	90 Ra
Junction temperature (lighting fixture)	80

Standard Operating Ambient Temperature 25°C

### LED Life / Failure Ratio

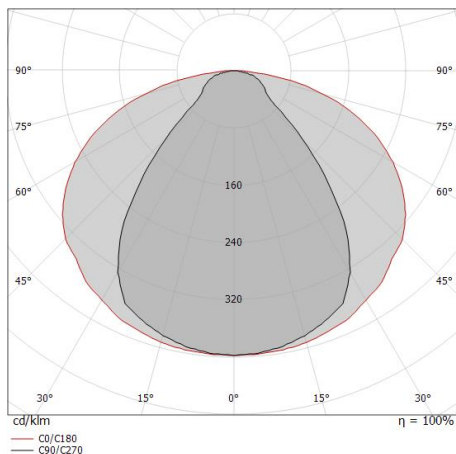
L70 B20 C0 72500h (at Tj 115 Ta 25)

### UGR

UGR axial	19.3
UGR transversal	26.9
X=4H   Y=8H	S=0.25H
Reflection factor	70/50/20

### OPTICAL

C90/C270 optics	81°
C0/C180 optics	135°
Light distribution symmetry	Symmetrical 2 axis



Distance [m]	Cone diameter [m]	illuminance [lx]
0.5	0.85 2.43	E(0°) 2175 E(C90) 482 E(C0) 60
1.0	1.70 4.85	E(0°) 544 E(C90) 121 E(C0) 15
1.5	2.55 7.28	E(0°) 242 E(C90) 54 E(C0) 7
2.0	3.40 9.70	E(0°) 136 E(C90) 30 E(C0) 4
2.5	4.26 12.13	E(0°) 87 E(C90) 19 E(C0) 2
3.0	5.11 14.56	E(0°) 60 E(C90) 13 E(C0) 2

Distance [m] Cone diameter [m] illuminance [lx]

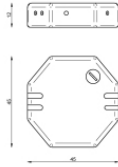
— C0/C180 (Half-peak divergence: 135.2°)  
- - C90/C270 (Half-peak divergence: 80.8°)

# Halfpipe 2



Halfpipe 2 | Pendant Luminaires | Accessories

9810



Dimmer  
220-240V

**Code**

KIT0026