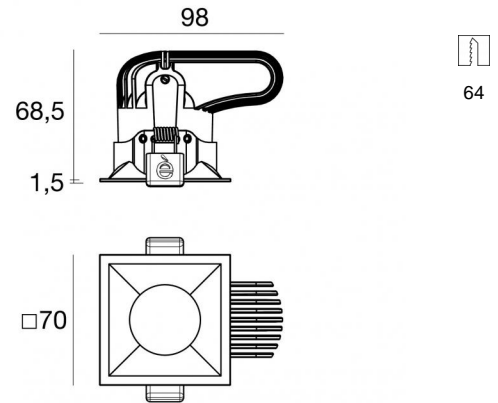




Downlights | 1 arrayLED 8 W DC 220 mA | CRI 80
97699W30



Technical data	
Type	Encasement with flange
Installation position	Ceiling
Installation environment	Indoor
Light Source	LED
Circuit structure	arrayLED
Optics	Flood
Light emission direction	downward
Nominal power	8 W DC
Source lumens	1088 lm
Input voltage range	220mA
CCT / Tone	3000 K
Colour rendering index	80 Ra
C.C. / C.V.	CC
Safety class	3
IP	IP44
Optical compartment IP	IP65
IK	IK08
Glow wire test	850°
Direct mounting on normally flammable surfaces	Yes
CE	Yes
Driver included	No
Dimmable article	DALI - 1-10V
Directional	No
Tilting	No
Walk-over	No
Drive-over	No
Cable included	Yes
Cable length	0.300 m
Resin potting	No
Type of light emission	Single emission
Net weight	0.41 Kg
Electrostatic discharge protection	No
Surge protection	No

Finishing casing

Material	Die-cast Aluminium EN AB - 46100
Colour	White
Processing	Powder coating





Finishing diffuser

Material	UV Resistant Polycarbonate
Colour	transparent

Finishing radiator

Material	Die-cast Aluminium EN AB - 46100
Colour	Aluminium
Processing	Polishing

Electronics

	99198 On/Off Driver 198~264V AC (1 art.)
	99732 1-10V Multi Power 198~264V AC / 180~275V DC (1 art.)
	99730 DALI - Push and Simply Dim Multi Power 198~264V AC / 180~275V DC (1 art.)
	83231 DALI-2 Multi Power 198~264V AC / 176~280V DC (1 art.)



Downlights | 1 arrayLED 8 W DC 220 mA | CRI 80 | Base 97699W30

Single emission recessed downlights for indoor application. The warm white LED light source with a flood light distribution is composed of 1 arrayed LEDs with CCT of 3000 K and a CRI 80; the source luminous flux is 1088 lm, with a 136.0 lm/W nominal luminous efficacy.

The device body is made of die-cast aluminium en ab - 46100 and features a white finish, processed by means of powder coating; the diffuser is made of uv resistant polycarbonate. The ingress protection degree is IP44; the total weight is of 0.41 kg. The power supply driver is not provided and is to be ordered separately.

The total absorbed power is 8 W. The power supply cable is included and features a 0.300 m length.

The device features protection class III and can be ceiling-mounted, with a 64 x 64 mm hole (in plasterboard).

Compliant with the EN 60598-1 standard and its specific provisions.

Energy efficiency class

This product contains a light source of energy efficiency class E.

Illuminotechnical Features

Light Output Ratio (LOR)	72 %
Source lumens	1088 lm
Delivered lumens	786 lm
Consumption	8 W
Luminaire efficacy	98 lm/W
Colour temperature	3000 K
Standard Deviation of Colour Matching	2 Step MacAdam
Colour rendering index	80 Ra
Gamut Area Index	55 GAI
Colour Rendering Index	10 R9
IES TM-30 Rf	83
IES TM-30 Rg	96
Black Body Locus	On
Standard Operating Ambient Temperature	-20 / +50°C
Ordinary temperature on the glass	40°C

LED Life / Failure Ratio

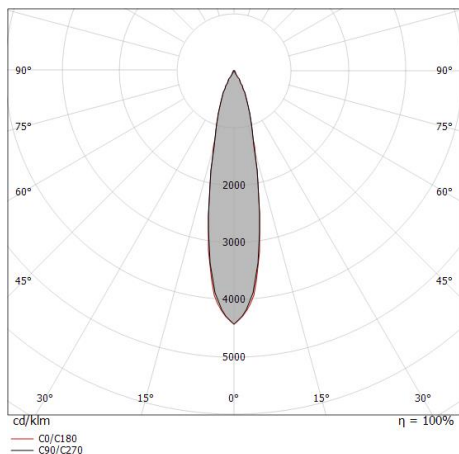
L70 B10 C0 296960h (at Tj 65 Ta 25)

UGR

UGR axial	11.2
UGR transversal	11.1
X=4H Y=8H	S=0.25H
Reflection factor	70/50/20

OPTICAL

C0/C180 optics	22°
Light distribution simmetry	Symmetrical



Distance [m]	Cone diameter [m]	illuminance [lx]
0.5	0.20 0.20	E(0°) 13942 E(C90) 11.2° 6588 E(C0) 11.3° 6587
1.0	0.40 0.40	E(0°) 3485 E(C90) 11.2° 1647 E(C0) 11.3° 1647
1.5	0.59 0.60	E(0°) 1549 E(C90) 11.2° 732 E(C0) 11.3° 732
2.0	0.79 0.80	E(0°) 871 E(C90) 11.2° 412 E(C0) 11.3° 412
2.5	0.99 1.00	E(0°) 558 E(C90) 11.2° 264 E(C0) 11.3° 263
3.0	1.19 1.20	E(0°) 387 E(C90) 11.2° 183 E(C0) 11.3° 183

— C0/C180 (Half-peak divergence: 22.6°)
— C90/C270 (Half-peak divergence: 22.4°)

COLOR VECTOR GRAPHIC

