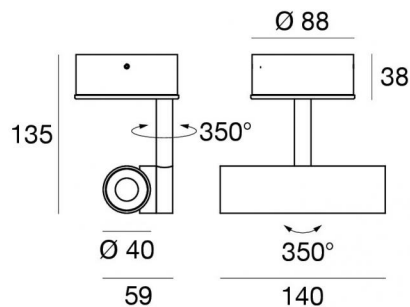


Ceiling Downlights - Projectors | 220-240 V  
1 x powerLED 8.5 W DC - 11 W AC | CRI 90

9731



Technical data	
Type	--- Surface
Installation position	Wall lights - Ceiling
Installation environment	Indoor
Light Source	LED
Circuit structure	powerLED
Optics	45°
Light emission direction	downward
Nominal power	8.5 W DC
Total Power	11 W
Source lumens	750 lm
Nominal input voltage	220 - 240 V AC
Input voltage range	220 - 240 V AC
Frequency	50 - 60 Hz
CCT / Tone	3000 K
Colour rendering index	90 Ra
C.C. / C.V.	AC
Safety class	1
IP	IP20
Glow wire test	650°
Direct mounting on normally flammable surfaces	Yes
CE	Yes
Driver included	Driver
Dimmable article	Phase cut
Directional	Swivelling
total angle (vertical plane)	350 °
total angle (horizontal plane)	350 °
Tilting	No
Walk-over	No
Drive-over	No
Cable included	No
Resin potting	No
Type of light emission	Single emission
Net weight	0.75 Kg
Electrostatic discharge protection	Yes
Surge protection	Yes

### Finishing casing

Material	Aluminium - Aluminium
Colour	black RAL 9005 - gold
Processing	Coating - Electroplating

### Finishing diffuser

Material	PMMA
Colour	transparent

### Finishing mounting frame

Material	Aluminium
Colour	black RAL 9005
Processing	Coating

Ceiling Downlights - Projectors | 220-240 V | 1 x powerLED 8.5 W DC - 11 W AC | CRI 90 | Base 9731

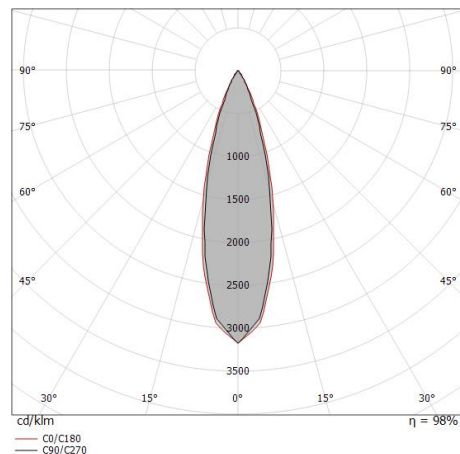
Single emission ceiling downlights, projectors or projectors for indoor application. The warm white LED light source is composed of 1 powered LEDs with CCT of 3000 K and a CRI 90; the source luminous flux is 750 lm, with a 88.2 lm/W nominal luminous efficacy.

The device body is made of aluminium and features a black ral 9005 finish, processed by means of coating. The device body is made of aluminium and features a gold finish, processed by means of electroplating; the diffuser is made of pmma; the mounting frame is made of aluminium, with a black ral 9005 finish, processed by means of coating. The ingress protection degree is IP20; the total weight is of 0.75 kg.

The total absorbed power is 11 W.

The device features protection class I and can be wall lights or ceiling-mounted.

Compliant with the EN 60598-1 standard and its specific provisions.



Distance [m]	Cone diameter [m]	illuminance [lx]
0.5	0.25 0.26	E(0°) 8104 E(C90) 3736 E(C0) 3707
1.0	0.49 0.52	E(0°) 2026 E(C90) 934 E(C0) 927
1.5	0.74 0.78	E(0°) 900 E(C90) 415 E(C0) 412
2.0	0.98 1.04	E(0°) 507 E(C90) 234 E(C0) 232
2.5	1.23 1.30	E(0°) 324 E(C90) 149 E(C0) 148
3.0	1.47 1.56	E(0°) 225 E(C90) 104 E(C0) 103

— C0/C180 (Half-peak divergence: 29.2°)  
— C90/C270 (Half-peak divergence: 27.6°)

### Energy efficiency class

This product contains a light source of energy efficiency class F.

### Illuminotechnical Features

Light Output Ratio (LOR)	85 %
Source lumens	750 lm
Delivered lumens	638 lm
Consumption	11 W
Luminaire efficacy	58 lm/W
Colour temperature	3000 K
Standard Deviation of Colour Matching	3 Step MacAdam
Colour rendering index	90 Ra
Junction temperature (lighting fixture)	80
Standard Operating Ambient Temperature	-20 / +50°C

### LED Life / Failure Ratio

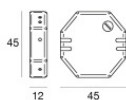
L80 B20 C0 80000h (at Tj 85 Ta 25)

### UGR

UGR axial	17.2
UGR transversal	18.3
X=4H   Y=8H	S=0.25H
Reflection factor	70/50/20

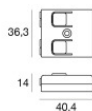
### OPTICAL

C0/C180 optics	28°
Light distribution simmetry	Symmetrical



Dimmer  
220-240V

**Code**  
KIT0026



Dimmer  
Radio-frequenza, 85-240V

**Code**  
KIT0080