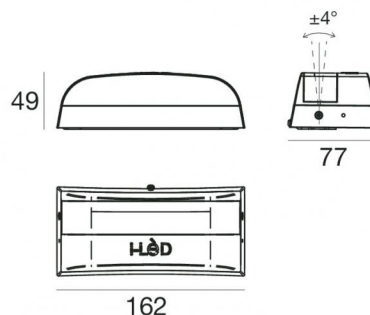
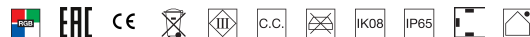




Uplights | 12 x powerLEDs 8 W DC 220 mA | RGB
95751Z18



Technical data	
Type	Surface
Installation position	Wall lights - Ceiling - Floor
Installation environment	Outdoor
Light Source	LED
Circuit structure	powerLEDs
Optics	Elliptic Narrow Spot (Wall Grazing)
Light emission direction	upward
Nominal power	8 W DC
Input voltage range	220mA
CCT / Tone	RGB
C.C. / C.V.	CC
Safety class	3
IP	IP65
IK	IK08
Glow wire test	850°
Direct mounting on normally flammable surfaces	Yes
CE	Yes
Driver included	No
Dimmable article	Yes
Directional	Swivelling
total angle (vertical plane)	5 °
Tilting	No
Walk-over	No
Drive-over	No
Cable included	No
Resin potting	No
Type of light emission	Arced diffusion
Net weight	0.65 Kg
Electrostatic discharge protection	No
Surge protection	No

Finishing casing

Material	Die-cast Aluminium EN AB - 46100
Colour	Grey
Processing	Open pore anodizing + Powder Coating

Finishing diffuser

Material	UV Resistant Polycarbonate
Colour	transparent
Processing	Liquid painting

Finishing base

Material	Die-cast Aluminium EN AB - 46100
Colour	Grey
Processing	Open pore anodizing + Powder Coating

Electronics



C-E500015
 DMX-RDM - NFC Multi Channel 4ch. 19~50V DC (1 - 6 art.(24 V))

Lumen RGBW

N. Led	Red	Green	Blue
12	156 lm	272 lm	92 lm

Uplights | 12 x powerLEDs 8 W DC 220 mA | RGB | Base 95751Z18

Arced diffusion uplights for outdoor application. The RGB LED light source with a elliptic narrow spot (wall grazing) light distribution is composed of 12 powered LEDs.

The device body is made of die-cast aluminium en ab - 46100 and features a grey finish, processed by means of open pore anodizing + powder coating; the diffuser is made of uv resistant polycarbonate with a liquid painting treatment. The ingress protection degree is IP65; the total weight is of 0.65 kg. The power supply driver is not provided and is to be ordered separately.

The total absorbed power is 8 W.

The device features protection class III and can be wall lights, ceiling or floor-mounted.

Compliant with the EN 60598-1 standard and its specific provisions.

Illuminotechnical Features

Delivered lumens	286 lm
Consumption	7.5 W
Luminaire efficacy	38 lm/W
Standard Operating Ambient Temperature	-20 / +50°C
Ordinary temperature on the glass	40°C

LED Life / Failure Ratio

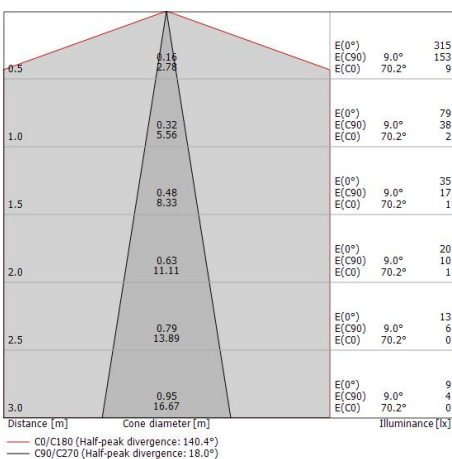
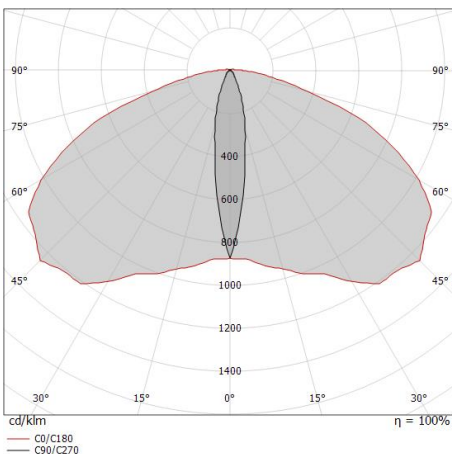
L70 B10 C0 247450h

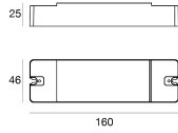
UGR

UGR axial	10.1
UGR transversal	30.2
X=4H Y=8H	S=0.25H
Reflection factor	70/50/20

OPTICAL

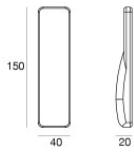
C90/C270 optics	18°
C0/C180 optics	140°
Light distribution simmetry	Symmetrical 2 assis





Dimmer
RF Remote controller

Code
C-E700003



RF remote control

Code
C-W600001