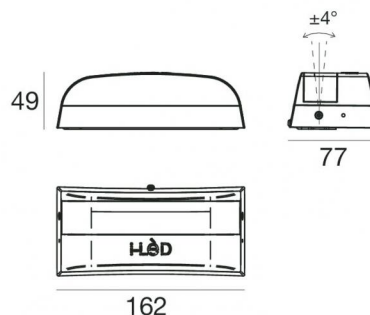




Uplights | 190-250 V AC /260-360 V DC
4 x powerLED 4 W DC - 6 W AC | CRI 80
95612W18



Technical data	
Type	Surface
Installation position	Wall lights - Ceiling - Floor
Installation environment	Outdoor
Light Source	LED
Circuit structure	powerLED
Optics	Elliptic Narrow Spot (Wall Grazing)
Light emission direction	upward
Nominal power	4 W DC
Total Power	6 W
Source lumens	580 lm
Nominal input voltage	220 - 240 V AC
Input voltage range	190 - 250 V AC
Frequency	50 - 60 Hz
CCT / Tone	3000 K
Colour rendering index	80 Ra
C.C. / C.V.	AC
Safety class	1
IP	IP65
IK	IK08
Glow wire test	850°
Direct mounting on normally flammable surfaces	Yes
CE	Yes
Driver included	Driver
Dimmable article	No
Directional	Swivelling
total angle (vertical plane)	5 °
Tilting	No
Walk-over	No
Drive-over	No
Cable included	Yes
Cable length	1 m
Resin potting	No
Type of light emission	Arced diffusion
Net weight	0.65 Kg
Electrostatic discharge protection	Yes
Surge protection	0.5 KV
Product technological characteristics	TVS

Finishing casing	
Material	Die-cast Aluminium EN AB - 46100
Colour	Black
Processing	Open pore anodizing + Powder Coating
Finishing diffuser	
Material	UV Resistant Polycarbonate
Colour	transparent
Processing	Liquid painting
Finishing base	
Material	Die-cast Aluminium EN AB - 46100
Colour	Black
Processing	Open pore anodizing + Powder Coating

Uplights | 190-250 V AC /260-360 V DC | 4 x powerLED 4 W DC - 6 W AC | CRI 80 | Base
95612W18

Energy efficiency class

This product contains 4 light sources of energy efficiency class D.

Illuminotechnical Features

Light Output Ratio (LOR)	73 %
Source lumens	580 lm
Delivered lumens	424 lm
Consumption	6 W
Luminaire efficacy	70 lm/W
Colour temperature	3000 K
Standard Deviation of Colour Matching	1.5 Step
Colour rendering index	80 Ra
Standard Operating Ambient Temperature	-20 / +50°C
Ordinary temperature on the glass	40°C

LED Life / Failure Ratio

L70 B10 C0 361980h (at Tj 60 Ta 25)

UGR

UGR axial	15.4
UGR transversal	35.6
X=4H Y=8H	S=0.25H
Reflection factor	70/50/20

OPTICAL

C90/C270 optics	18°
C0/C180 optics	140°
Light distribution simmetry	Symmetrical 2 assis

Arched diffusion uplights for outdoor application. The warm white LED light source with a elliptic narrow spot (wall grazing) light distribution is composed of 4 powerled LEDs with CCT of 3000 K and a CRI 80; the source luminous flux is 580 lm, with a 145.0 lm/W nominal luminous efficacy.

The device body is made of die-cast aluminium en ab - 46100 and features a black finish, processed by means of open pore anodizing + powder coating; the diffuser is made of uv resistant polycarbonate with a liquid painting treatment. The ingress protection degree is IP65; the total weight is of 0.65 kg.

The total absorbed power is 6 W. The power supply cable is included and features a 1 m length.

The device features protection class I and can be wall lights, ceiling or floor-mounted.

Compliant with the EN 60598-1 standard and its specific provisions.

