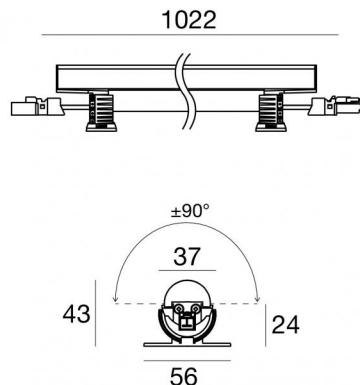




Lines | 147 topLED 27 W DC 24 V | CRI 80
94115W30



Technical data	
Type	Surface
Installation position	Wall lights - Ceiling - Floor
Installation environment	Indoor
Light Source	LED
Circuit structure	topLED
Optics	Elliptic M. Flood (30°÷39°) x >60°
Light emission direction	upward
Nominal power	27 W DC
Source lumens	3132 lm
Input voltage range	24V
CCT / Tone	3000 K
Colour rendering index	80 Ra
C.C. / C.V.	CV
Safety class	3
IP	IP40
IK	IK08
Glow wire test	850°
Direct mounting on normally flammable surfaces	Yes
CE	Yes
Driver included	No
Dimmable article	DALI - 1-10V
Directional	Swivelling
total angle (vertical plane)	180 °
Tilting	No
Walk-over	No
Drive-over	No
Cable included	Yes
Cable length	0.02 m
Resin potting	No
Type of light emission	Single emission
Net weight	0.435 Kg
Electrostatic discharge protection	No
Surge protection	No
Product technological characteristics	UV Resistant

Finishing casing

Material	Aluminium 6060
Colour	Anodised Aluminum
Processing	20 µm anodizing


Finishing diffuser


Material	UV Resistant Polycarbonate
----------	----------------------------


Finishing bracket

Material	UV Resistant Polycarbonate
Colour	transparent

Electronics

	99331 On/Off Driver 198~264V AC / 176~275V DC 150 W (1 - 5 art.)
---	---

	99332 1-10V Controller (1 - 5 art.)
---	--

	99374 On/Off Driver 198~264V AC / 176~275V DC 75 W (1 - 2 art.)
---	--

	83333 Push and Simply Dim - DALI-2 Controller (1 - 5 art.)
---	---

	C-E400002 Push and Simply Dim - DALI-2 Controller (1 - 8 art.)
---	---

Cables Electrification

Cable connector	Male Plug 2 Pin
-----------------	-----------------

Cable connector	Female Socket 2 Pin
-----------------	---------------------

Lines | 147 topLED 27 W DC 24 V | CRI 80 | Base
94115W30

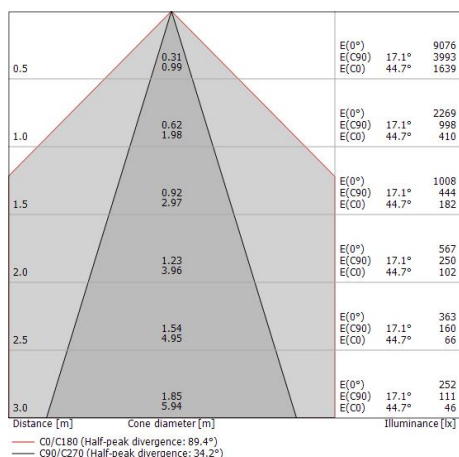
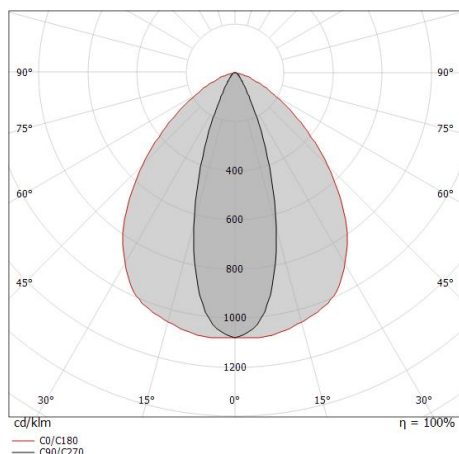
Single emission lines for indoor application. The warm white LED light source with a elliptic m. flood (30°±39°) x >60° light distribution is composed of 147 topLEDs with CCT of 3000 K and a CRI 80; the source luminous flux is 3132 lm, with a 116.0 lm/W nominal luminous efficacy.

The device body is made of aluminium 6060 and features a anodised aluminum finish, processed by means of 20 µm anodizing; the diffuser is made of uv resistant polycarbonate. The ingress protection degree is IP40; the total weight is of 0.435 kg. The power supply driver is not provided and is to be ordered separately.

The total absorbed power is 27 W. The power supply cable is included and features a 0.02 m length.

The device features protection class III and can be wall lights, ceiling or floor-mounted.

Compliant with the EN 60598-1 standard and its specific provisions.



Energy efficiency class

This product contains 3 light sources of energy efficiency class D.

Illuminotechnical Features

Light Output Ratio (LOR)	67 %
Source lumens	3132 lm
Delivered lumens	2103 lm
Consumption	27 W
Luminaire efficacy	77 lm/W
Colour temperature	3000 K
Standard Deviation of Colour Matching	3 Step MacAdam
Colour rendering index	80 Ra
Standard Operating Ambient Temperature	-20 / +50°C
Ordinary temperature on the glass	40°C

LED Life / Failure Ratio

L70 B10 C0 145770h (at Tj 65 Ta 25)

UGR

UGR axial	18.6
UGR transversal	28.4
X=4H Y=8H	S=0.25H
Reflection factor	70/50/20

OPTICAL

C90/C270 optics	34°
C0/C180 optics	89°
Light distribution simmetry	Symmetrical 2 assis



Cable and connector

Length 250 mm; insulation single; section 1.5 mm²; external diameter: 2x3,4 mm; colors: black - red.

Code

98879



Cable and connector

Length 1000 mm; insulation single; section 1.5 mm²; external diameter: 2x3,4 mm; colors: black - red.

Code

98878



Bracket

L=975mm, H=3mm, D=56mm.

Material:Iron, colour:zinc, processing:Galvanising.

Finish

Grey

Code

98781