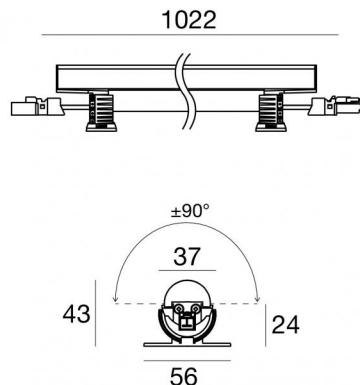




Lines | 147 topLED 27 W DC 24 V | CRI 80
94115N00



Technical data	
Type	Surface
Installation position	Wall lights - Ceiling - Floor
Installation environment	Indoor
Light Source	LED
Circuit structure	topLED
Optics	Diffused
Light emission direction	upward
Nominal power	27 W DC
Source lumens	3276 lm
Input voltage range	24V
CCT / Tone	4000 K
Colour rendering index	80 Ra
C.C. / C.V.	CV
Safety class	3
IP	IP40
IK	IK08
Glow wire test	850°
Direct mounting on normally flammable surfaces	Yes
CE	Yes
Driver included	No
Dimmable article	DALI - 1-10V
Directional	Swivelling
total angle (vertical plane)	180 °
Tilting	No
Walk-over	No
Drive-over	No
Cable included	Yes
Cable length	0.02 m
Resin potting	No
Type of light emission	Single emission
Net weight	0.435 Kg
Electrostatic discharge protection	No
Surge protection	No
Product technological characteristics	UV Resistant

Finishing casing

Material	Aluminium 6060
Colour	Anodised Aluminum
Processing	20 µm anodizing

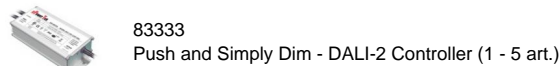
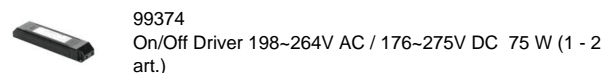
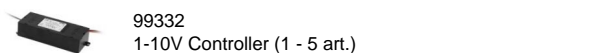
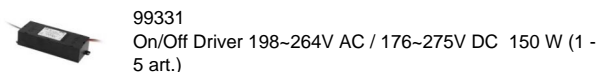
Finishing diffuser

Material	UV Resistant Polycarbonate
----------	----------------------------

Finishing bracket

Material	UV Resistant Polycarbonate
Colour	transparent

Electronics



Cables Electrification

Cable connector	Male Plug 2 Pin
Cable connector	Female Socket 2 Pin

Lines | 147 topLED 27 W DC 24 V | CRI 80 | Base
94115N00

Single emission lines for indoor application. The natural white LED light source with a diffused light distribution is composed of 147 topLEDs with CCT of 4000 K and a CRI 80; the source luminous flux is 3276 lm, with a 121.3 lm/W nominal luminous efficacy.

The device body is made of aluminium 6060 and features a anodised aluminum finish, processed by means of 20 µm anodizing; the diffuser is made of uv resistant polycarbonate. The ingress protection degree is IP40; the total weight is of 0.435 kg. The power supply driver is not provided and is to be ordered separately.

The total absorbed power is 27 W. The power supply cable is included and features a 0.02 m length.

The device features protection class III and can be wall lights, ceiling or floor-mounted.

Compliant with the EN 60598-1 standard and its specific provisions.

Energy efficiency class

This product contains 3 light sources of energy efficiency class D.

Illuminotechnical Features

Light Output Ratio (LOR)	79 %
Source lumens	3276 lm
Delivered lumens	2596 lm
Consumption	27 W
Luminaire efficacy	96 lm/W
Colour temperature	4000 K
Standard Deviation of Colour Matching	3 Step MacAdam
Colour rendering index	80 Ra
Standard Operating Ambient Temperature	-20 / +50°C
Ordinary temperature on the glass	40°C

LED Life / Failure Ratio

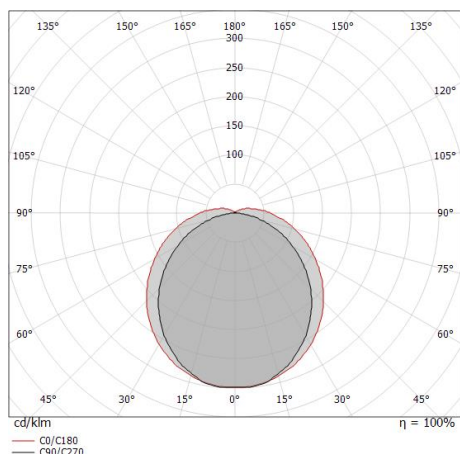
L70 B10 C0 145770h (at Tj 65 Ta 25)

UGR

UGR axial	30.2
UGR transversal	34.4
X=4H Y=8H	S=0.25H
Reflection factor	70/50/20

OPTICAL

C90/C270 optics	105°
C0/C180 optics	126°
Light distribution symmetry	Symmetrical 2 axis



Distance [m]	Cone diameter [m]	illuminance [lx]
0.5	1.29 1.95	E(0°) 3107 E(C90) 357 E(C0) 147
1.0	2.59 3.91	E(0°) 777 E(C90) 89 E(C0) 37
1.5	3.88 5.86	E(0°) 345 E(C90) 40 E(C0) 16
2.0	5.18 7.82	E(0°) 194 E(C90) 22 E(C0) 9
2.5	6.47 9.77	E(0°) 124 E(C90) 14 E(C0) 6
3.0	7.76 11.73	E(0°) 86 E(C90) 10 E(C0) 4



Cable and connector

Length 250 mm; insulation single; section 1.5 mm²; external diameter: 2x3,4 mm; colors: black - red.

Code

98879



Cable and connector

Length 1000 mm; insulation single; section 1.5 mm²; external diameter: 2x3,4 mm; colors: black - red.

Code

98878



Bracket

L=975mm, H=3mm, D=56mm.

Material:Iron, colour:zinc, processing:Galvanising.

Finish

Grey

Code

98781