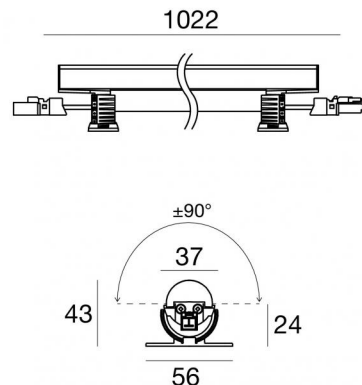




Lines | 147 topLED 27 W DC 24 V | CRI 80
94115M60



| Technical data | |
|------------------------------------------------|----------------------------------------|
| Type | Surface |
| Installation position | Wall lights - Ceiling - Floor |
| Installation environment | Indoor |
| Light Source | LED |
| Circuit structure | topLED |
| Optics | Elliptic E. W. Flood ?71° x >60° |
| Light emission direction | upward |
| Nominal power | 27 W DC |
| Source lumens | 2937 lm |
| Input voltage range | 24V |
| CCT / Tone | 2700 K |
| Colour rendering index | 80 Ra |
| C.C. / C.V. | CV |
| Safety class | 3 |
| IP | IP40 |
| IK | IK08 |
| Glow wire test | 850° |
| Direct mounting on normally flammable surfaces | Yes |
| CE | Yes |
| Driver included | No |
| Dimmable article | DALI - 1-10V |
| Directional | Swivelling |
| total angle (vertical plane) | 180 ° |
| Tilting | No |
| Walk-over | No |
| Drive-over | No |
| Cable included | Yes |
| Cable length | 0.02 m |
| Resin potting | No |
| Type of light emission | Single emission |
| Net weight | 0.435 Kg |
| Electrostatic discharge protection | No |
| Surge protection | No |
| Product technological characteristics | UV Resistant |

Finishing casing

| | |
|------------|-------------------|
| Material | Aluminium 6060 |
| Colour | Anodised Aluminum |
| Processing | 20 µm anodizing |

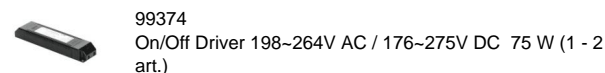
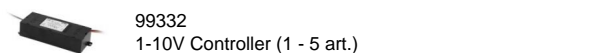
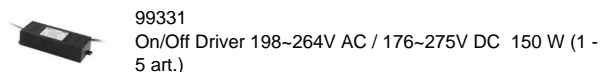
Finishing diffuser

| | |
|----------|----------------------------|
| Material | UV Resistant Polycarbonate |
|----------|----------------------------|

Finishing bracket

| | |
|----------|----------------------------|
| Material | UV Resistant Polycarbonate |
| Colour | transparent |

Electronics



Cables Electrification

| | |
|-----------------|---------------------|
| Cable connector | Male Plug 2 Pin |
| Cable connector | Female Socket 2 Pin |

Lines | 147 topLED 27 W DC 24 V | CRI 80 | Base
94115M60

Single emission lines for indoor application. The super warm white LED light source with a elliptic e. w. flood >math>71^\circ \times >60^\circ</math> light distribution is composed of 147 topLEDs with CCT of 2700 K and a CRI 80; the source luminous flux is 2937 lm, with a 108.8 lm/W nominal luminous efficacy.

The device body is made of aluminium 6060 and features a anodised aluminum finish, processed by means of 20 μm anodizing; the diffuser is made of uv resistant polycarbonate. The ingress protection degree is IP40; the total weight is of 0.435 kg. The power supply driver is not provided and is to be ordered separately.

The total absorbed power is 27 W. The power supply cable is included and features a 0.02 m length.

The device features protection class III and can be wall lights, ceiling or floor-mounted.

Compliant with the EN 60598-1 standard and its specific provisions.

Energy efficiency class

This product contains 3 light sources of energy efficiency class D.

Illuminotechnical Features

| | |
|----------------------------------------|----------------|
| Light Output Ratio (LOR) | 71 % |
| Source lumens | 2937 lm |
| Delivered lumens | 2098 lm |
| Consumption | 27 W |
| Luminaire efficacy | 77 lm/W |
| Colour temperature | 2700 K |
| Standard Deviation of Colour Matching | 3 Step MacAdam |
| Colour rendering index | 80 Ra |
| Standard Operating Ambient Temperature | -20 / +50°C |
| Ordinary temperature on the glass | 40°C |

LED Life / Failure Ratio

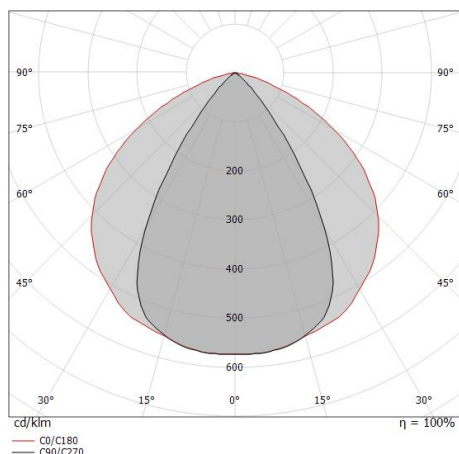
L70 B10 C0 145770h (at Tj 65 Ta 25)

UGR

| | |
|-------------------|----------|
| UGR axial | 19.5 |
| UGR transversal | 29.8 |
| X=4H Y=8H | S=0.25H |
| Reflection factor | 70/50/20 |

OPTICAL

| | |
|-----------------------------|---------------------|
| C90/C270 optics | 66° |
| C0/C180 optics | 112° |
| Light distribution simmetry | Symmetrical 2 assis |



| Distance [m] | Cone diameter [m] | illuminance [lx] |
|--------------|-------------------|----------------------------------------------------|
| 0.5 | 0.64 1.49 | E(0°) 4819 E(C90) 32.8° 1441 E(C0) 56.2° 415 |
| 1.0 | 1.29 2.99 | E(0°) 1205 E(C90) 32.8° 360 E(C0) 56.2° 104 |
| 1.5 | 1.93 4.48 | E(0°) 535 E(C90) 32.8° 160 E(C0) 56.2° 46 |
| 2.0 | 2.58 5.98 | E(0°) 301 E(C90) 32.8° 90 E(C0) 56.2° 26 |
| 2.5 | 3.22 7.47 | E(0°) 193 E(C90) 32.8° 58 E(C0) 56.2° 17 |
| 3.0 | 3.87 8.96 | E(0°) 134 E(C90) 32.8° 40 E(C0) 56.2° 12 |

— C0/C180 (Half-peak divergence: 112.4°)
 — C90/C270 (Half-peak divergence: 65.6°)



Cable and connector

Length 250 mm; insulation single; section 1.5 mm²; external diameter: 2x3,4 mm; colors: black - red.

Code

98879



Cable and connector

Length 1000 mm; insulation single; section 1.5 mm²; external diameter: 2x3,4 mm; colors: black - red.

Code

98878



Bracket

L=975mm, H=3mm, D=56mm.

Material:Iron, colour:zinc, processing:Galvanising.

Finish

Grey

Code

98781