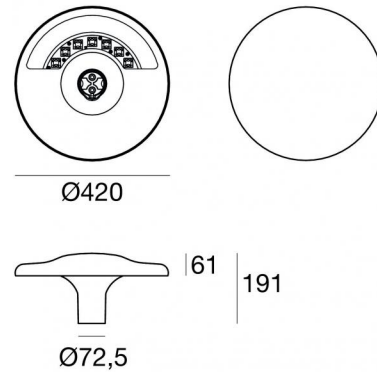




Bollard & Pole  
 18 x powerLEDs 22.2 W DC - 26 W AC | CRI 80  
**93189N79**



Technical data	
Type	- - -
Installation position	Pole
Installation environment	Outdoor
Light Source	LED
Circuit structure	powerLEDs
Optics	Park
Light emission direction	downward
Nominal power	22.2 W DC
Total Power	26 W
Source lumens	3024 lm
Nominal input voltage	220 - 240 V AC
Input voltage range	198 - 264 V AC
Frequency	50 - 60 Hz
CCT / Tone	4000 K
Colour rendering index	80 Ra
C.C. / C.V.	AC
Safety class	2
IP	IP66
IK	IK08
Glow wire test	850°
Direct mounting on normally flammable surfaces	Yes
CE	Yes
Driver included	Driver
Dimmable article	No
Directional	No
Tilting	No
Walk-over	No
Drive-over	No
Cable included	Yes
Cable length	1 m
Resin potting	No
Type of light emission	Single emission
Surface exposed to lateral wind	0,03 m <sup>2</sup>
Plant surface exposed to the wind	0,14 m <sup>2</sup>
Net weight	6.3 Kg
Electrostatic discharge protection	Yes
Surge protection	4 KV

Finishing casing	
Material	Die-cast Aluminium EN AB - 46100
Colour	Grey
Processing	Powder coating
Finishing diffuser	
Material	Extra clear glass
Colour	transparent
Processing	Silk-screening

Bollard & Pole | 18 x powerLEDs 22.2 W DC - 26 W AC | CRI 80 | Base  
**93189N79**

Single emission bollard & pole for outdoor application. The natural white LED light source with a park light distribution is composed of 18 powered LEDs with CCT of 4000 K and a CRI 80; the source luminous flux is 3024 lm, with a 136.2 lm/W nominal luminous efficacy.

The device body is made of die-cast aluminium en ab - 46100 and features a grey finish, processed by means of powder coating; the diffuser is made of extra clear glass with a silk-screening treatment. The ingress protection degree is IP66; the total weight is of 6.3 kg.

The total absorbed power is 26 W. The power supply cable is included and features a 1 m length.

The device features protection class II and can be pole-mounted.

Compliant with the EN 60598-1 standard and its specific provisions.

### Energy efficiency class

This product contains a light source of energy efficiency class E.

### Illuminotechnical Features

Light Output Ratio (LOR)	79 %
Source lumens	3024 lm
Delivered lumens	2410 lm
Consumption	26 W
Luminaire efficacy	92 lm/W
Colour temperature	4000 K
Standard Deviation of Colour Matching	3 Step MacAdam
Colour rendering index	80 Ra
Standard Operating Ambient Temperature	-20 / +50°C

### LED Life / Failure Ratio

L70 B10 C0 247450h (at Tj 60 Ta 25 )

