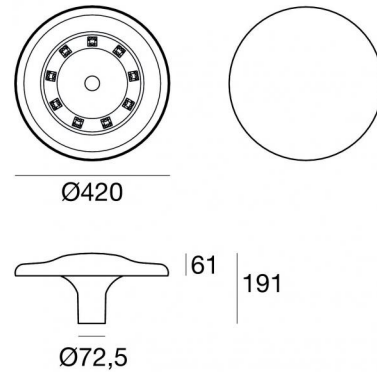




Bollard & Pole
30 x powerLEDs 37 W DC - 71 W AC | CRI 80
93171N00



Technical data	
Type	- - -
Installation position	Pole
Installation environment	Outdoor
Light Source	LED
Circuit structure	powerLEDs
Optics	Diffused
Light emission direction	downward
Nominal power	37 W DC
Total Power	71 W
Source lumens	5040 lm
Nominal input voltage	220 - 240 V AC
Input voltage range	198 - 264 V AC
Frequency	50 - 60 Hz
CCT / Tone	4000 K
Colour rendering index	80 Ra
C.C. / C.V.	AC
Safety class	2
IP	IP66
IK	IK08
Glow wire test	850°
Direct mounting on normally flammable surfaces	Yes
CE	Yes
Driver included	Driver
Dimmable article	No
Directional	No
Tilting	No
Walk-over	No
Drive-over	No
Cable included	Yes
Cable length	1 m
Resin potting	No
Type of light emission	Single emission
Surface exposed to lateral wind	0,03 m ²
Plant surface exposed to the wind	0,14 m ²
Net weight	6.3 Kg
Electrostatic discharge protection	Yes
Surge protection	5 KV

Finishing casing	
Material	Die-cast Aluminium EN AB - 46100
Colour	Grey
Processing	Powder coating
Finishing diffuser	
Material	Extra clear glass
Colour	transparent
Processing	Silk-screening

Bollard & Pole | 30 x powerLEDs 37 W DC - 71 W AC | CRI 80 | Base 93171N00

Single emission bollard & pole for outdoor application. The natural white LED light source with a diffused light distribution is composed of 30 powered LEDs with CCT of 4000 K and a CRI 80; the source luminous flux is 5040 lm, with a 136.2 lm/W nominal luminous efficacy.

The device body is made of die-cast aluminium en ab - 46100 and features a grey finish, processed by means of powder coating; the diffuser is made of extra clear glass with a silk-screening treatment. The ingress protection degree is IP66; the total weight is of 6.3 kg.

The total absorbed power is 71 W. The power supply cable is included and features a 1 m length.

The device features protection class II and can be pole-mounted.

Compliant with the EN 60598-1 standard and its specific provisions.

Energy efficiency class

This product contains a light source of energy efficiency class E.

Illuminotechnical Features

Light Output Ratio (LOR)	146 %
Source lumens	5040 lm
Delivered lumens	7398 lm
Consumption	71 W
Luminaire efficacy	104 lm/W
Colour temperature	4000 K
Standard Deviation of Colour Matching	3 Step MacAdam
Colour rendering index	80 Ra
Standard Operating Ambient Temperature	-20 / +50°C

LED Life / Failure Ratio

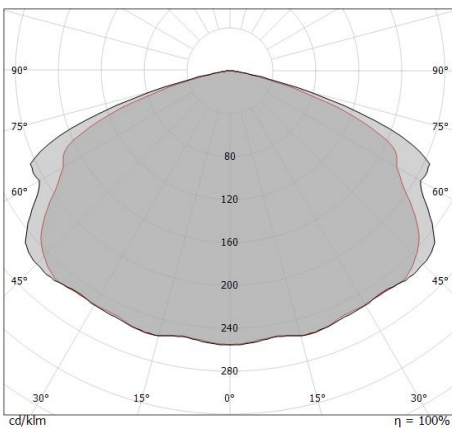
L70 B10 C0 247450h (at Tj 60 Ta 25)

UGR

UGR axial	28.7
UGR transversal	28
X=4H Y=8H	S=0.25H
Reflection factor	70/50/20

OPTICAL

C90/C270 optics	144°
C0/C180 optics	138°
Light distribution simmetry	Symmetrical 2 assis



Distance [m]	Cone diameter [m]	illuminance [lx]
0.5	3.06 2.63	E(0°) 7556 E(C90) 114 E(C0) 170
1.0	6.12 5.27	E(0°) 1889 E(C90) 28 E(C0) 43
1.5	9.18 7.90	E(0°) 840 E(C90) 13 E(C0) 19
2.0	12.24 10.53	E(0°) 472 E(C90) 7 E(C0) 11
2.5	15.30 13.16	E(0°) 302 E(C90) 5 E(C0) 7
3.0	18.36 15.80	E(0°) 210 E(C90) 3 E(C0) 5

— C0/C180 (Half-peak divergence: 138.4°)
- - C90/C270 (Half-peak divergence: 143.8°)