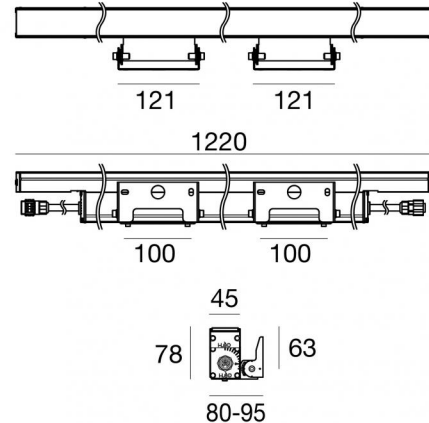




Wall Lights - Lines | 198-264 V
 22 x powerLED 48.5 W DC - 53.5 W AC | CRI 80
92120M27



Technical data	
Type	- - Surface
Installation position	Wall lights
Installation environment	Outdoor
Light Source	LED
Circuit structure	powerLED
Optics	Asymmetric Wallwasher
Light emission direction	upward
Nominal power	48.5 W DC
Total Power	53.5 W
Source lumens	6204 lm
Nominal input voltage	220 - 240 V AC
Input voltage range	198 - 264 V AC
Frequency	50 - 60 Hz
CCT / Tone	2700 K
Colour rendering index	80 Ra
C.C. / C.V.	AC
Safety class	1
IP	IP67
IK	IK10
Glow wire test	850°
Direct mounting on normally flammable surfaces	Yes
CE	Yes
Driver included	Driver
Dimmable article	No
Directional	Swivelling
total angle (horizontal plane)	90 °
Tilting	No
Walk-over	No
Drive-over	No
Cable included	Yes
Cable length	0.2 m
Resin potting	No
Type of light emission	Single emission
Net weight	3.5 Kg
Electrostatic discharge protection	4 KV
Surge protection	5 KV
Product technological characteristics	TCS - TVS

Finishing casing

Material	Aluminium 6060
Colour	Anodised Aluminum
Processing	20 µm anodizing

Finishing diffuser

Material	Extra clear glass - Tempered
Colour	transparent
Processing	Silk-screening

Finishing bracket

Material	AISI 316 steel
Colour	steel



Wall Lights - Lines | 198-264 V | 22 x powerLED 48.5 W DC - 53.5 W AC | CRI 80 | Base
92120M27

Single emission wall lights or lines for outdoor application. The super warm white LED light source with a asymmetric wallwasher light distribution is composed of 22 powered LEDs with CCT of 2700 K and a CRI 80; the source luminous flux is 6204 lm, with a 127.9 lm/W nominal luminous efficacy.

The device body is made of aluminium 6060 and features a anodised aluminum finish, processed by means of 20 µm anodizing; the diffuser is made of extra clear glass - tempered with a silk-screening treatment. The ingress protection degree is IP67; the total weight is of 3.5 kg.

The total absorbed power is 53.5 W. The power supply cable is included and features a 0.2 m length.

The device features protection class I and can be wall lights-mounted.

Compliant with the EN 60598-1 standard and its specific provisions.

Energy efficiency class

This product contains 4 light sources of energy efficiency class D.

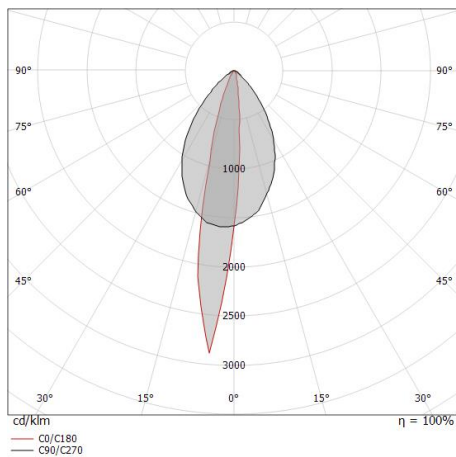
Illuminotechnical Features

Light Output Ratio (LOR)	67 %
Source lumens	6204 lm
Delivered lumens	4176 lm
Consumption	53.5 W
Luminaire efficacy	78 lm/W
Colour temperature	2700 K
Standard Deviation of Colour Matching	1.5 Step
Colour rendering index	80 Ra

Standard Operating Ambient Temperature	-20 / +50°C
Ordinary temperature on the glass	40°C

LED Life / Failure Ratio

L70 B10 C0 361980h (at Tj 60 Ta 25)





	<p>Cable and connector Length 2000 mm; insulation double; section 1.5 mm²; cable gland: no; external diameter: 9.5 mm; colors: blue - brown - yellow-green.</p>	<p>Code <u>99057</u></p>	
	<p>Cable and connector Length 5000 mm; insulation double; section 1.5 mm²; cable gland: no; external diameter: 9.5 mm; colors: blue - brown - yellow-green.</p>	<p>Code <u>98147</u></p>	
		<p>Cable and connector Length 10000 mm; insulation double; section 1.5 mm²; cable gland: no; external diameter: 9.5 mm; colors: blue - brown - yellow-green.</p>	<p>Code <u>98146</u></p>
		<p>Anti-glare Material:Aluminium, colour:Anodised Black, processing:Anodisation.</p>	<p>Finish Black</p> <p>Code <u>98677</u></p>
		<p>Bracket installation position: wall lights L=289.5mm, H=164mm, D=123mm. Material:Galvanised Iron, colour:Grey, processing:Powder coating.</p>	<p>Code <u>83049</u></p>