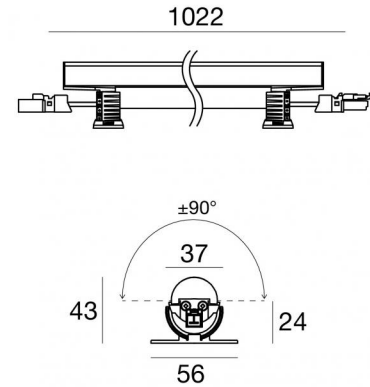


Archicove On/Off



Lines | 85-277 V | 147 topLED 27 W DC - 30 W AC
CRI 80
92025N60



Technical data	
Type	Surface
Installation position	Wall lights - Ceiling - Floor
Installation environment	Indoor
Light Source	LED
Circuit structure	topLED
Optics	Elliptic E. W. Flood ?71° x >60°
Light emission direction	upward
Nominal power	27 W DC
Total Power	30 W
Source lumens	3276 lm
Nominal input voltage	220 - 240 V AC
Input voltage range	85 - 277 V AC
Frequency	50 - 60 Hz
CCT / Tone	4000 K
Colour rendering index	80 Ra
C.C. / C.V.	AC
Safety class	2
IP	IP40
IK	IK08
Glow wire test	850°
Direct mounting on normally flammable surfaces	Yes
CE	Yes
Driver included	Driver
Dimmable article	No
Directional	Swivelling
total angle (vertical plane)	180 °
Tilting	No
Walk-over	No
Drive-over	No
Cable included	Yes
Cable length	0.02 m
Resin potting	No
Type of light emission	Single emission
Net weight	0.459 Kg
Electrostatic discharge protection	4 KV
Surge protection	0,5 KV
Product technological characteristics	UV Resistant

Finishing casing

Material	Aluminium 6060
Colour	Anodised Aluminum
Processing	20 µm anodizing

Finishing diffuser

Material	UV Resistant Polycarbonate
----------	----------------------------

Finishing bracket

Material	UV Resistant Polycarbonate
Colour	transparent

Archicove On/Off



Lines | 85-277 V | 147 topLED 27 W DC - 30 W AC | CRI 80 | Base 92025N60

Energy efficiency class

This product contains 3 light sources of energy efficiency class D.

Illuminotechnical Features

Light Output Ratio (LOR)	69 %
Source lumens	3276 lm
Delivered lumens	2283 lm
Consumption	30 W
Luminaire efficacy	76 lm/W
Colour temperature	4000 K
Standard Deviation of Colour Matching	3 Step MacAdam
Colour rendering index	80 Ra
Standard Operating Ambient Temperature	-20 / +50°C
Ordinary temperature on the glass	40°C

LED Life / Failure Ratio

L70 B10 C0 145770h (at Tj 65 Ta 25)

UGR

UGR axial	19.8
UGR transversal	30.1
X=4H Y=8H	S=0.25H
Reflection factor	70/50/20

OPTICAL

C90/C270 optics	66°
C0/C180 optics	112°
Light distribution simmetry	Symmetrical 2 assis

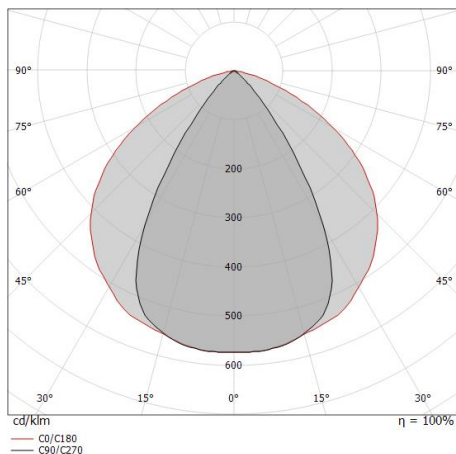
Single emission lines for indoor application. The natural white LED light source with a elliptic e. w. flood $\approx 71^\circ \times >60^\circ$ light distribution is composed of 147 topLEDs with CCT of 4000 K and a CRI 80; the source luminous flux is 3276 lm, with a 121.3 lm/W nominal luminous efficacy.

The device body is made of aluminium 6060 and features a anodised aluminum finish, processed by means of 20 μm anodizing; the diffuser is made of uv resistant polycarbonate. The ingress protection degree is IP40; the total weight is of 0.459 kg.

The total absorbed power is 30 W. The power supply cable is included and features a 0.02 m length.

The device features protection class II and can be wall lights, ceiling or floor-mounted.

Compliant with the EN 60598-1 standard and its specific provisions.



Distance [m]	Cone diameter [m]	illuminance [lx]
0.5	0.64 1.49	E(0°) 5245 E(C90) 32.8° 1568 E(C0) 56.2° 452
1.0	1.29 2.99	E(0°) 1311 E(C90) 32.8° 392 E(C0) 56.2° 113
1.5	1.93 4.48	E(0°) 583 E(C90) 32.8° 174 E(C0) 56.2° 50
2.0	2.58 5.96	E(0°) 328 E(C90) 32.8° 98 E(C0) 56.2° 28
2.5	3.22 7.47	E(0°) 210 E(C90) 32.8° 63 E(C0) 56.2° 18
3.0	3.87 8.96	E(0°) 146 E(C90) 32.8° 44 E(C0) 56.2° 13

— C0/C180 (Half-peak divergence: 112.4°)
— C90/C270 (Half-peak divergence: 65.6°)



Bracket

L=975mm, H=3mm, D=56mm.

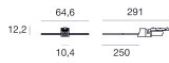
Material:Iron, colour:zinc, processing:Galvanising.

Finish

Grey

Code

98781



Cable and connector

Length 250 mm; insulation double; section 0,75 mm²; external diameter: 2x2,1 mm; colors: blue - brown.

Code

98713



Cable and connector

Length 1000 mm; insulation double; section 0,75 mm²; external diameter: 2x2,1 mm; colors: blue - brown.

Code

98716