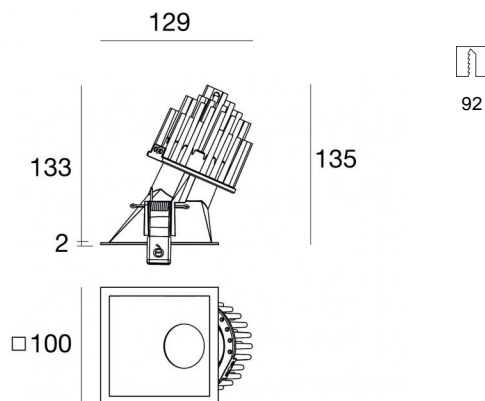




Downlights | arrayLED 0 W DC 400 mA | CRI 90
90875M15



Technical data

| | |
|--|------------------------|
| Type | Encasement with flange |
| Installation position | Ceiling |
| Installation environment | Indoor |
| Light Source | LED |
| Circuit structure | arrayLED |
| Optics | Spot |
| Light emission direction | downward |
| Nominal power | 0 W DC |
| Input voltage range | 400mA |
| CCT / Tone | 2700 K |
| Colour rendering index | 90 Ra |
| C.C. / C.V. | CC |
| Safety class | 3 |
| IP | IP44 |
| Optical compartment IP | IP65 |
| Glow wire test | 850° |
| Direct mounting on normally flammable surfaces | Yes |
| CE | Yes |
| Driver included | No |
| Dimmable article | DALI - 1-10V |
| Directional | No |
| Tilting | No |
| Walk-over | No |
| Drive-over | No |
| Cable included | Yes |
| Cable length | 0.300 m |
| Resin potting | No |
| Type of light emission | Single emission |
| Net weight | 0.511 Kg |
| Electrostatic discharge protection | No |
| Surge protection | No |
| Optics technology | F.O.L. - Honey comb |

Finishing casing

| | |
|------------|----------------------------------|
| Material | Die-cast Aluminium EN AB - 46100 |
| Colour | Black |
| Processing | Powder coating |

Finishing diffuser

| | |
|----------|----------------------------|
| Material | UV Resistant Polycarbonate |
| Colour | transparent |

Finishing radiator

| | |
|------------|----------------------------------|
| Material | Die-cast Aluminium EN AB - 46100 |
| Processing | Tumbling |

Cables Electrification

| | |
|-----------------------|----------------|
| Cable connector | Male Easy plug |
| IP (locked condition) | 66 |