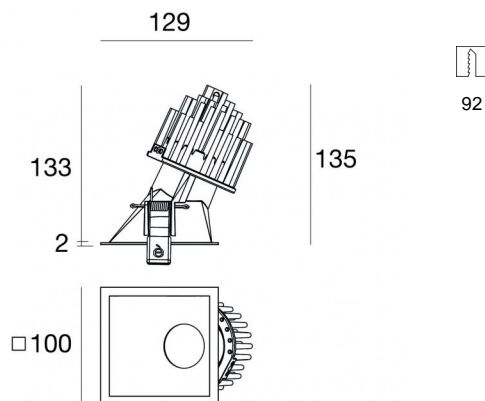




Downlights | 1 arrayLED 15 W DC 400 mA | CRI 90  
**90871W15**



## Technical data

|  |                        |
|--|------------------------|
| Type   | Encasement with flange |
| Installation position                          | Ceiling                |
| Installation environment                       | Indoor                 |
| Light Source                                   | LED                    |
| Circuit structure                              | arrayLED               |
| Optics   | Spot                   |
| Light emission direction                       | downward               |
| Nominal power                                  | 15 W DC                |
| Source lumens                                  | 2318 lm                |
| Input voltage range                            | 400mA                  |
| CCT / Tone                                     | 3000 K                 |
| Colour rendering index                         | 90 Ra                  |
| C.C. / C.V.                                    | CC                     |
| Safety class                                   | 3                      |
| IP   | IP44                   |
| Optical compartment IP                         | IP65                   |
| Glow wire test                                 | 850°                   |
| Direct mounting on normally flammable surfaces | Yes                    |
| CE   | Yes                    |
| Driver included                                | No                     |
| Dimmable article                               | DALI - 1-10V           |
| Directional                                    | No                     |
| Tilting  | No                     |
| Walk-over                                      | No                     |
| Drive-over                                     | No                     |
| Cable included                                 | Yes                    |
| Cable length                                   | 0.300 m                |
| Resin potting                                  | No                     |
| Type of light emission                         | Single emission        |
| Net weight                                     | 0.511 Kg               |
| Electrostatic discharge protection             | No                     |
| Surge protection                               | No                     |
| Optics technology                              | F.O.L.                 |

## Finishing casing

|            |                                  |
|------------|----------------------------------|
| Material   | Die-cast Aluminium EN AB - 46100 |
| Colour     | Black                            |
| Processing | Powder coating                   |


## Finishing diffuser


|          |                            |
|----------|----------------------------|
| Material | UV Resistant Polycarbonate |
| Colour   | transparent                |

## Finishing radiator

|            |                                  |
|------------|----------------------------------|
| Material   | Die-cast Aluminium EN AB - 46100 |
| Processing | Tumbling                         |

## Electronics

 99740  
 Multi Power 198~264V AC / 180~275V DC (1 art.)

 99739  
 1-10V Multi Power 198~264V AC / 180~275V DC (1 art.)

 C-E100032  
 Push and Simply Dim - DALI-2 Controller (1 art.)

## Cables Electrification

|                       |                |
|-----------------------|----------------|
| Cable connector       | Male Easy plug |
| IP (locked condition) | 66             |



Downlights | 1 arrayLED 15 W DC 400 mA | CRI 90 | Base  
**90871W15**

Single emission recessed downlights for indoor application. The warm white LED light source with a spot light distribution is composed of 1 arrayed LEDs with CCT of 3000 K and a CRI 90; the source luminous flux is 2318 lm, with a 154.5 lm/W nominal luminous efficacy.

The device body is made of die-cast aluminium en ab - 46100 and features a black finish, processed by means of powder coating; the diffuser is made of uv resistant polycarbonate. The ingress protection degree is IP44; the total weight is of 0.511 kg. The power supply driver is not provided and is to be ordered separately.

The total absorbed power is 15 W. The power supply cable is included and features a 0.300 m length.

The device features protection class III and can be ceiling-mounted, with a 92 x 92 mm hole (in plasterboard).

Compliant with the EN 60598-1 standard and its specific provisions.

### Energy efficiency class

This product contains a light source of energy efficiency class E.

### Illuminotechnical Features

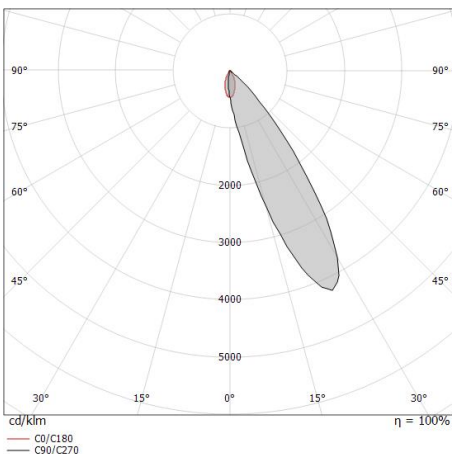
|  |                |
|--|----------------|
| Light Output Ratio (LOR)               | 35 %           |
| Source lumens                          | 2318 lm        |
| Delivered lumens                       | 818 lm         |
| Consumption                            | 15 W           |
| Luminaire efficacy                     | 54 lm/W        |
| Colour temperature                     | 3000 K         |
| Standard Deviation of Colour Matching  | 2 Step MacAdam |
| Colour rendering index                 | 90 Ra          |
| Colour Rendering Index                 | 60 R9          |
| Black Body Locus                       | On             |
| Standard Operating Ambient Temperature | -20 / +50°C    |
| Ordinary temperature on the glass      | 40°C           |

### LED Life / Failure Ratio

L70 B10 C0 252000h (at Tj 65 Ta 25)

### OPTICAL

|                             |              |
|-----------------------------|--------------|
| C0/C180 optics              | 43°          |
| Light distribution symmetry | Asymmetrical |



| Distance [m] | Cone diameter [m] | illuminance [lx]        |
|--------------|-------------------|-------------------------|
| 0.5          | 0.40              | E(0°) 1505<br>E(C0) 607 |
| 1.0          | 0.80              | E(0°) 376<br>E(C0) 152  |
| 1.5          | 1.19              | E(0°) 167<br>E(C0) 67   |
| 2.0          | 1.59              | E(0°) 94<br>E(C0) 38    |
| 2.5          | 1.99              | E(0°) 60<br>E(C0) 24    |
| 3.0          | 2.39              | E(0°) 42<br>E(C0) 17    |

Distance [m] Cone diameter [m] illuminance [lx]  
— C0/C180 (Half-peak divergence: 43.4°)

