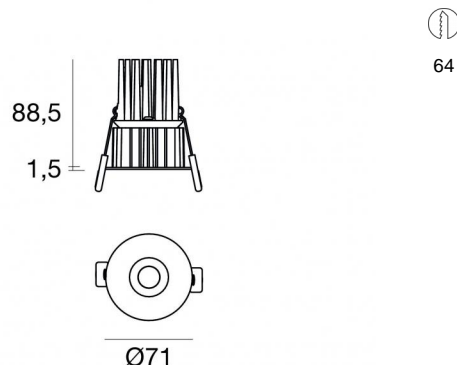




Downlights | 1 x powerLED 8 W DC 700 mA | CRI 92
90670M30



64

Technical data

Type	Encasement with flange
Installation position	Ceiling
Installation environment	Indoor
Light Source	LED
Circuit structure	powerLED
Optics	Flood
Light emission direction	downward
Nominal power	8 W DC
Source lumens	689 lm
Input voltage range	700mA
CCT / Tone	2700 K
Colour rendering index	92 Ra
C.C. / C.V.	CC
Safety class	3
IP	IP44
Optical compartment IP	IP65
Glow wire test	850°
Direct mounting on normally flammable surfaces	Yes
CE	Yes
Driver included	No
Dimmable article	DALI - 1-10V
Directional	No
Tilting	No
Walk-over	No
Drive-over	No
Cable included	No
Resin potting	No
Type of light emission	Single emission
Net weight	0.192 Kg
Electrostatic discharge protection	No
Surge protection	No
Optics technology	F.O.L. - Honey comb
Product technological characteristics	TVS

Finishing casing

Material	Die-cast Aluminium EN AB - 46100
Colour	White
Processing	Powder coating

Finishing diffuser

Material	UV Resistant Polycarbonate
Colour	transparent

Finishing radiator

Material	Die-cast Aluminium EN AB - 46100
Processing	Tumbling

Electronics

	99147 On/Off Driver 198~264V AC (1 - 3 art.)
	99735 Multi Power 198~264V AC / 180~275V DC (1 art.)
	99733 1-10V Multi Power 198~264V AC / 180~275V DC (1 art.)
	C-E100012 Push and Simply Dim - DALI-2 Controller (1 art.)
	C-E100016 Push and Simply Dim - DALI-2 Controller (1 - 3 art.)

Downlights | 1 x powerLED 8 W DC 700 mA | CRI 92 | Base 90670M30

Single emission recessed downlights for indoor application. The super warm white LED light source with a flood light distribution is composed of 1 powered LEDs with CCT of 2700 K and a CRI 92; the source luminous flux is 689 lm, with a 86.1 lm/W nominal luminous efficacy.

The device body is made of die-cast aluminium en ab - 46100 and features a white finish, processed by means of powder coating; the diffuser is made of uv resistant polycarbonate. The ingress protection degree is IP44; the total weight is of 0.192 kg. The power supply driver is not provided and is to be ordered separately.

The total absorbed power is 8 W.

The device features protection class III and can be ceiling-mounted, with a 64 mm diameter hole (in plasterboard) with an outer casing, code 99849(for concrete or masonry).

Compliant with the EN 60598-1 standard and its specific provisions.

Energy efficiency class

This product contains a light source of energy efficiency class F.

Illuminotechnical Features

Light Output Ratio (LOR)	38 %
Source lumens	689 lm
Delivered lumens	263 lm
Consumption	8 W
Luminaire efficacy	32 lm/W
Colour temperature	2700 K
Standard Deviation of Colour Matching	3 Step MacAdam
Colour rendering index	92 Ra
Black Body Locus	On
Standard Operating Ambient Temperature	-20 / +50°C
Ordinary temperature on the glass	40°C

LED Life / Failure Ratio

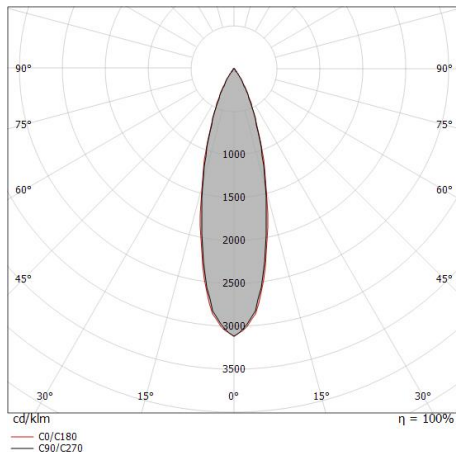
L70 B10 C0 247450h (at Tj 60 Ta 25)

UGR

UGR axial	14.2
UGR transversal	14.5
X=4H Y=8H	S=0.25H
Reflection factor	70/50/20

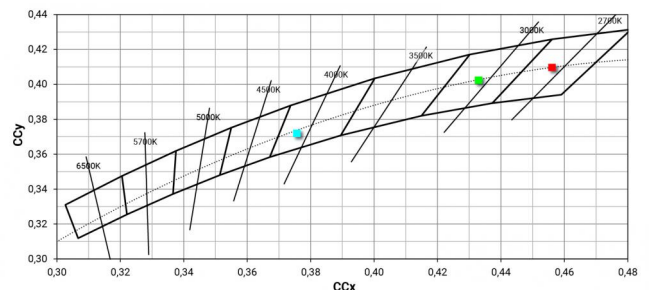
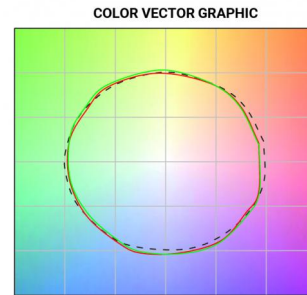
OPTICAL

C0/C180 optics	28°
Light distribution simmetry	Symmetrical



Distance [m]	Cone diameter [m]	illuminance [lx]
0.5	0.25 0.25	E(0°) 3273 E(C90) 1503 E(C0) 1503
1.0	0.49 0.51	E(0°) 818 E(C90) 376 E(C0) 376
1.5	0.74 0.76	E(0°) 364 E(C90) 167 E(C0) 167
2.0	0.99 1.01	E(0°) 205 E(C90) 94 E(C0) 94
2.5	1.24 1.27	E(0°) 131 E(C90) 60 E(C0) 60
3.0	1.48 1.52	E(0°) 91 E(C90) 42 E(C0) 42

— C0/C180 (Half-peak divergence: 28.4°)
— C90/C270 (Half-peak divergence: 27.8°)



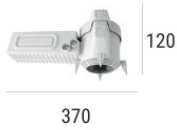


Vos_R | Downlights | Accessories
90670M30



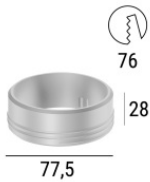
Outer casing
 installation position: ceiling; type of installation: masonry L=200mm, H=113mm, D=137mm.
 Material:polypropylene, colour:white.

Code
89373



Outer casing
 installation position: ceiling; type of installation: masonry L=370mm, H=120mm, D=200mm.
 Material:polypropylene, colour:white.

Code
89374



Outer casing
 installation position: ceiling; type of installation: drywall L=77.5mm, H=28mm, D=77.5mm.
 Material:Aluminium, colour:Anodised Aluminum, processing:Anodisation.

Finish
 Code
99849