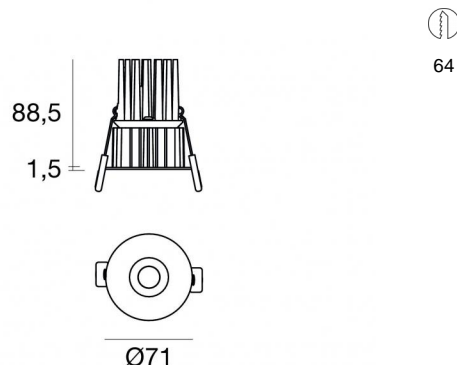




Downlights | 1 x powerLED 8 W DC 700 mA | CRI 90
90663W45



64

Technical data

Type	Encasement with flange
Installation position	Ceiling
Installation environment	Indoor
Light Source	LED
Circuit structure	powerLED
Optics	Wide Flood
Light emission direction	downward
Nominal power	8 W DC
Source lumens	738 lm
Input voltage range	700mA
CCT / Tone	3000 K
Colour rendering index	90 Ra
C.C. / C.V.	CC
Safety class	3
IP	IP44
Optical compartment IP	IP65
Glow wire test	850°
Direct mounting on normally flammable surfaces	Yes
CE	Yes
Driver included	No
Dimmable article	DALI - 1-10V
Directional	No
Tilting	No
Walk-over	No
Drive-over	No
Cable included	No
Resin potting	No
Type of light emission	Single emission
Net weight	0.192 Kg
Electrostatic discharge protection	No
Surge protection	No
Optics technology	F.O.L.
Product technological characteristics	TVS

Finishing casing

Material	Die-cast Aluminium EN AB - 46100
Colour	Black
Processing	Powder coating


Finishing diffuser

Material	UV Resistant Polycarbonate
Colour	transparent

Finishing radiator

Material	Die-cast Aluminium EN AB - 46100
Processing	Tumbling

Electronics

	99147 On/Off Driver 198~264V AC (1 - 3 art.)
	99735 Multi Power 198~264V AC / 180~275V DC (1 art.)
	99733 1-10V Multi Power 198~264V AC / 180~275V DC (1 art.)
	C-E100012 Push and Simply Dim - DALI-2 Controller (1 art.)
	C-E100016 Push and Simply Dim - DALI-2 Controller (1 - 3 art.)

Downlights | 1 x powerLED 8 W DC 700 mA | CRI 90 | Base 90663W45

Single emission recessed downlights for indoor application. The warm white LED light source with a wide flood light distribution is composed of 1 powerLED LEDs with CCT of 3000 K and a CRI 90; the source luminous flux is 738 lm, with a 92.3 lm/W nominal luminous efficacy.

The device body is made of die-cast aluminium en ab - 46100 and features a black finish, processed by means of powder coating; the diffuser is made of uv resistant polycarbonate. The ingress protection degree is IP44; the total weight is of 0.192 kg. The power supply driver is not provided and is to be ordered separately.

The total absorbed power is 8 W.

The device features protection class III and can be ceiling-mounted, with a 64 mm diameter hole (in plasterboard) with an outer casing, code 99849(for concrete or masonry).

Compliant with the EN 60598-1 standard and its specific provisions.

Energy efficiency class

This product contains a light source of energy efficiency class F.

Illuminotechnical Features

Light Output Ratio (LOR)	59 %
Source lumens	738 lm
Delivered lumens	438 lm
Consumption	8 W
Luminaire efficacy	54 lm/W
Colour temperature	3000 K
Standard Deviation of Colour Matching	3 Step MacAdam
Colour rendering index	90 Ra
Black Body Locus	On
Standard Operating Ambient Temperature	-20 / +50°C
Ordinary temperature on the glass	40°C

LED Life / Failure Ratio

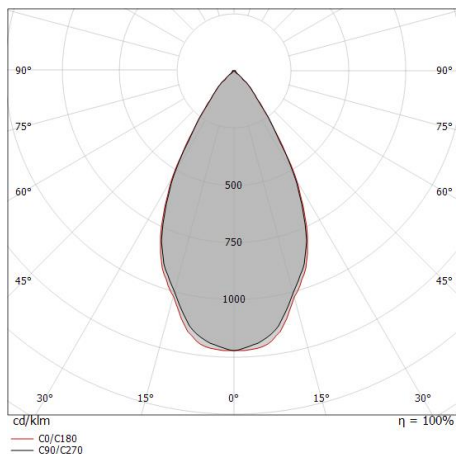
L70 B10 C0 247450h (at Tj 60 Ta 25)

UGR

UGR axial	22.5
UGR transversal	22.5
X=4H Y=8H	S=0.25H
Reflection factor	70/50/20

OPTICAL

C0/C180 optics	56°
Light distribution simmetry	Symmetrical



Distance [m]	Cone diameter [m]	illuminance [lx]
0.5	0.53 0.54	E(0°) 2143 E(C90) 741 E(C0) 737
1.0	1.06 1.07	E(0°) 536 E(C90) 185 E(C0) 184
1.5	1.59 1.61	E(0°) 238 E(C90) 82 E(C0) 82
2.0	2.12 2.14	E(0°) 134 E(C90) 46 E(C0) 46
2.5	2.65 2.68	E(0°) 86 E(C90) 30 E(C0) 29
3.0	3.18 3.22	E(0°) 60 E(C90) 21 E(C0) 20

— C0/C180 (Half-peak divergence: 56.4°)
— C90/C270 (Half-peak divergence: 55.8°)





Outer casing
 installation position: ceiling; type of installation: masonry L=200mm, H=113mm, D=137mm.
 Material:polypropylene, colour:white.

Code
89373



Outer casing
 installation position: ceiling; type of installation: masonry L=370mm, H=120mm, D=200mm.
 Material:polypropylene, colour:white.

Code
89374



Outer casing
 installation position: ceiling; type of installation: drywall L=77.5mm, H=28mm, D=77.5mm.
 Material:Aluminium, colour:Anodised Aluminum, processing:Anodisation.

Finish
 Code
99849