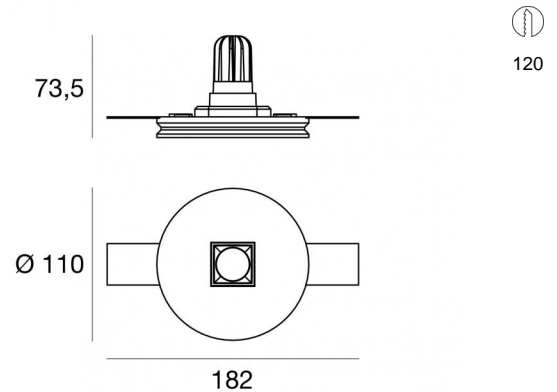


Gypsum_Coloring_Q1



Downlights | 220-240 V | 1 x powerLED 7 W DC - 9 W AC | CRI 90
8827



Technical data	
Construction year	2020
Type	Downlights
Installation position	Ceiling
Installation environment	Indoor
Light Source	LED
Circuit structure	powerLED
Optics	Spot
Light emission direction	downward
Nominal power	7 W DC
Total Power	9 W
Source lumens	540 lm
Nominal input voltage	220 - 240 V AC
Input voltage range	220 - 240 V AC
Frequency	60 - 50 Hz
CCT / Tone	3000 K
Colour rendering index	90 Ra
C.C. / C.V.	AC
Safety class	2
IP	IP40
Glow wire test	850°
Direct mounting on normally flammable surfaces	Yes
CE	Yes
Driver included	Driver
Dimmable article	No
Directional	No
Tilting	No
Walk-over	No
Drive-over	No
Cable included	No
Resin potting	No
Type of light emission	Single emission
Net weight	0.432 Kg
Electrostatic discharge protection	No
Surge protection	No

Finishing casing

Material	ABS Plastic
Colour	White
Processing	Coating

Finishing diffuser

Material	PMMA
Colour	transparent

Finishing mounting frame

Material	plaster
Colour	white

The driver contained in the device complies with IEC 61347-2-13 annex J, and can therefore be powered by centralized power systems.

Gypsum_Coloring_Q1



Downlights | 220-240 V | 1 x powerLED 7 W DC - 9 W AC | CRI 90 | Base 8827

Single emission recessed downlights for indoor application. The warm white LED light source with a spot light distribution is composed of 1 powered LEDs with CCT of 3000 K and a CRI 90; the source luminous flux is 540 lm, with a 77.1 lm/W nominal luminous efficacy.

The device body is made of abs plastic and features a white finish, processed by means of coating; the diffuser is made of pmma; the mounting frame is made of plaster, with a white finish. The ingress protection degree is IP40; the total weight is of 0.432 kg.

The total absorbed power is 9 W.

The device features protection class II and can be ceiling-mounted, with a 120 mm diameter hole (in plasterboard).

Compliant with the EN 60598-1 standard and its specific provisions.

Energy efficiency class

This product contains a light source of energy efficiency class G.

Illuminotechnical Features

Light Output Ratio (LOR)	81 %
Source lumens	540 lm
Delivered lumens	441 lm
Consumption	9 W
Luminaire efficacy	49 lm/W
Colour temperature	3000 K
Standard Deviation of Colour Matching	3 Step MacAdam
Colour rendering index	90 Ra
Junction temperature (lighting fixture)	80
Standard Operating Ambient Temperature	25°C

LED Life / Failure Ratio

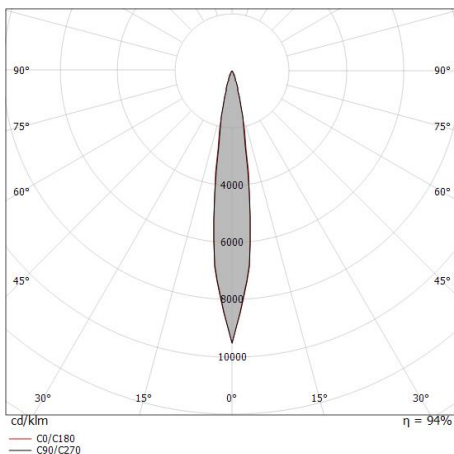
L80 B20 C0 72600h

UGR

UGR axial	14.5
UGR transversal	14.6
X=4H Y=8H	S=0.25H
Reflection factor	70/50/20

OPTICAL

C0/C180 optics	15°
Light distribution simmetry	Symmetrical

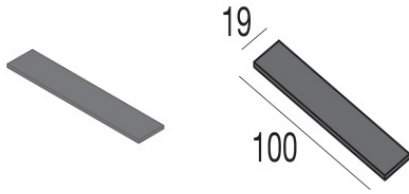


Distance [m]	Cone diameter [m]	illuminance [lx]
0.5	0.13 0.13	E(0°) 16733 E(C90) 7.4° 8284 E(C0) 7.5° 8294
1.0	0.26 0.26	E(0°) 4183 E(C90) 7.4° 2071 E(C0) 7.5° 2073
1.5	0.39 0.39	E(0°) 1859 E(C90) 7.4° 920 E(C0) 7.5° 922
2.0	0.52 0.53	E(0°) 1046 E(C90) 7.4° 518 E(C0) 7.5° 518
2.5	0.65 0.66	E(0°) 669 E(C90) 7.4° 331 E(C0) 7.5° 332
3.0	0.78 0.79	E(0°) 465 E(C90) 7.4° 230 E(C0) 7.5° 230

Gypsum_Coloring_Q1

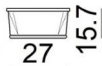


Gypsum_Coloring_Q1 | Downlights | Accessories
8827

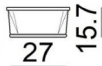


Spacer - KIT thicknesses for installation on plasterboard

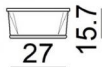
Code
60830



Code
061000269055



Code
061000269125



Code
061000269104

