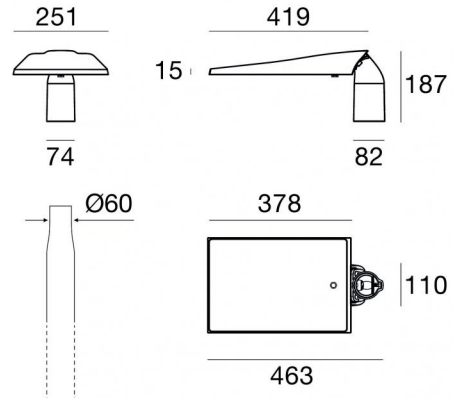




Bollard & Pole | 198-264 V
 36 x powerLEDs 52 W DC - 55 W AC | CRI 80
84473W73



Technical data	
Type	- - -
Installation position	Pole
Installation environment	Outdoor
Light Source	LED
Circuit structure	powerLEDs
Optics	Urban
Light emission direction	downward
Nominal power	52 W DC
Total Power	55 W
Source lumens	7768 lm
Nominal input voltage	220 - 240 V AC
Input voltage range	198 - 264 V AC
Frequency	50 - 60 Hz
CCT / Tone	3000 K
Colour rendering index	80 Ra
C.C. / C.V.	AC
Safety class	2
IP	IP66
IK	IK08
Glow wire test	850°
Direct mounting on normally flammable surfaces	Yes
CE	Yes
Driver included	Driver
Dimmable article	Autocontrol
Directional	Swivelling
Tilting	No
Walk-over	No
Drive-over	No
Cable included	Yes
Cable length	1 m
Resin potting	No
Type of light emission	Single emission
Surface exposed to lateral wind	0.03 m ²
Plant surface exposed to the wind	0.1 m ²
Net weight	3.2 Kg
Electrostatic discharge protection	Yes
Surge protection	5 KV
Product technological characteristics	TCS

Finishing casing	
Material	Die-cast Aluminium EN AB - 46100
Colour	Grey
Processing	Powder coating
Finishing diffuser	
Material	Extra clear glass
Colour	transparent
Processing	Silk-screening

Bollard & Pole | 198-264 V | 36 x powerLEDs 52 W DC - 55 W AC | CRI 80 | Base
84473W73

Single emission bollard & pole for outdoor application. The warm white LED light source with a urban light distribution is composed of 36 powerLEDs with CCT of 3000 K and a CRI 80; the source luminous flux is 7768 lm, with a 149.4 lm/W nominal luminous efficacy.

The device body is made of die-cast aluminium en ab - 46100 and features a grey finish, processed by means of powder coating; the diffuser is made of extra clear glass with a silk-screening treatment. The ingress protection degree is IP66; the total weight is of 3.2 kg.

The total absorbed power is 55 W. The power supply cable is included and features a 1 m length.

The device features protection class II and can be pole-mounted.

Compliant with the EN 60598-1 standard and its specific provisions.

Energy efficiency class

This product contains a light source of energy efficiency class D.

Illuminotechnical Features

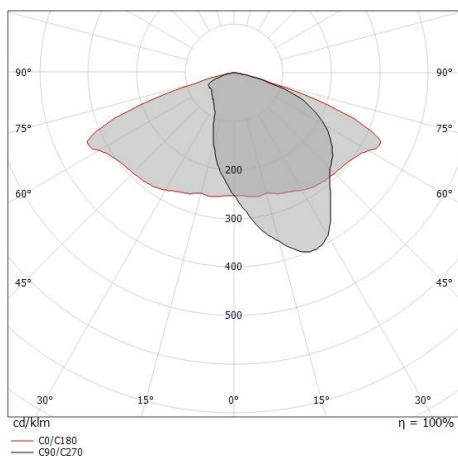
Light Output Ratio (LOR)	75 %
Source lumens	7768 lm
Delivered lumens	5895 lm
Consumption	55 W
Luminaire efficacy	107 lm/W
Colour temperature	3000 K
Standard Deviation of Colour Matching	1.5 Step
Colour rendering index	80 Ra
Standard Operating Ambient Temperature	-20 / +50°C

LED Life / Failure Ratio

L70 B10 C0 361980h (at Tj 60 Ta 25)

OPTICAL

C0/C180 optics	144°
Light distribution simmetry	Asymmetrical



Distance [m]	Cone diameter [m]	E(0°) E(C0)	72.1°	5945 116
0.5	3.10	E(0°) E(C0)	72.1°	1486 29
1.0	6.19	E(0°) E(C0)	72.1°	661 13
1.5	9.29	E(0°) E(C0)	72.1°	372 7
2.0	12.38	E(0°) E(C0)	72.1°	238 5
2.5	15.48	E(0°) E(C0)	72.1°	165 3
3.0	18.58	E(0°) E(C0)	72.1°	

Distance [m] Cone diameter [m] Illuminance [lx]

— C0/C180 (Half-peak divergence: 144.2°)