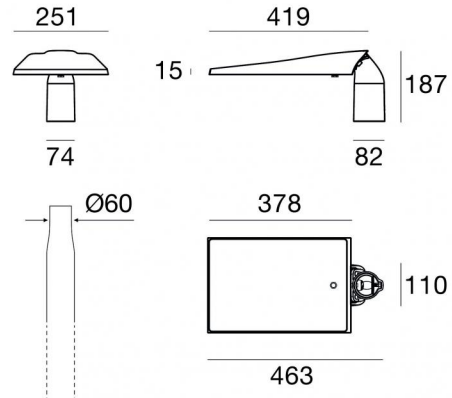




Bollard & Pole | 198-264 V
 24 x powerLEDs 41 W DC - 44 W AC | CRI 70
84469N72



Technical data	
Type	- - -
Installation position	Pole
Installation environment	Outdoor
Light Source	LED
Circuit structure	powerLEDs
Optics	STREET
Light emission direction	downward
Nominal power	41 W DC
Total Power	44 W
Source lumens	7534 lm
Nominal input voltage	220 - 240 V AC
Input voltage range	198 - 264 V AC
Frequency	50 - 60 Hz
CCT / Tone	4000 K
Colour rendering index	70 Ra
C.C. / C.V.	AC
Safety class	2
IP	IP66
IK	IK08
Glow wire test	850°
Direct mounting on normally flammable surfaces	Yes
CE	Yes
Driver included	Driver
Dimmable article	Autocontrol
Directional	Swivelling
Tilting	No
Walk-over	No
Drive-over	No
Cable included	Yes
Cable length	1 m
Resin potting	No
Type of light emission	Single emission
Surface exposed to lateral wind	0.03 m ²
Plant surface exposed to the wind	0.1 m ²
Net weight	3.2 Kg
Electrostatic discharge protection	Yes
Surge protection	5 KV
Product technological characteristics	TCS

Finishing casing	
Material	Die-cast Aluminium EN AB - 46100
Colour	Grey
Processing	Powder coating
Finishing diffuser	
Material	Extra clear glass
Colour	transparent
Processing	Silk-screening

Bollard & Pole | 198-264 V | 24 x powerLEDs 41 W DC - 44 W AC | CRI 70 | Base
84469N72

Single emission bollard & pole for outdoor application. The natural white LED light source with a street light distribution is composed of 24 powered LEDs with CCT of 4000 K and a CRI 70; the source luminous flux is 7534 lm, with a 183.8 lm/W nominal luminous efficacy.

The device body is made of die-cast aluminium en ab - 46100 and features a grey finish, processed by means of powder coating; the diffuser is made of extra clear glass with a silk-screening treatment. The ingress protection degree is IP66; the total weight is of 3.2 kg.

The total absorbed power is 44 W. The power supply cable is included and features a 1 m length.

The device features protection class II and can be pole-mounted.

Compliant with the EN 60598-1 standard and its specific provisions.

Energy efficiency class

This product contains a light source of energy efficiency class B.

Illuminotechnical Features

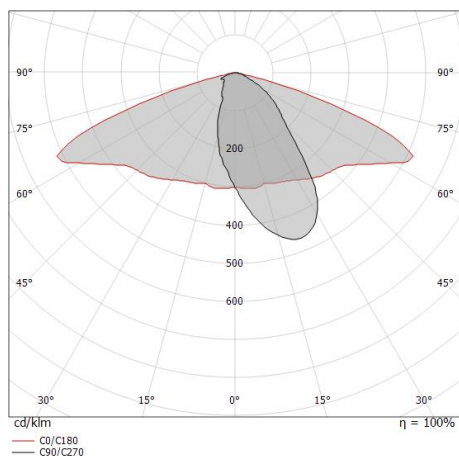
Light Output Ratio (LOR)	78 %
Source lumens	7534 lm
Delivered lumens	5920 lm
Consumption	44 W
Luminaire efficacy	134 lm/W
Colour temperature	4000 K
Standard Deviation of Colour Matching	5 Step MacAdam
Colour rendering index	70 Ra
Standard Operating Ambient Temperature	-20 / +50°C

LED Life / Failure Ratio

L70 B10 C0 361980h (at Tj 60 Ta 25)

OPTICAL

C0/C180 optics	144°
Light distribution symmetry	Asymmetrical



Distance [m]	Cone diameter [m]	E(0°) E(C0)	72.1°	Illuminance [lx]
0.5	3.10	E(0°) E(C0)	72.1°	7125 180
1.0	6.19	E(0°) E(C0)	72.1°	1781 45
1.5	9.29	E(0°) E(C0)	72.1°	792 20
2.0	12.38	E(0°) E(C0)	72.1°	445 11
2.5	15.48	E(0°) E(C0)	72.1°	285 7
3.0	18.58	E(0°) E(C0)	72.1°	198 5

Distance [m] Cone diameter [m] Illuminance [lx]

— C0/C180 (Half-peak divergence: 144.2°)