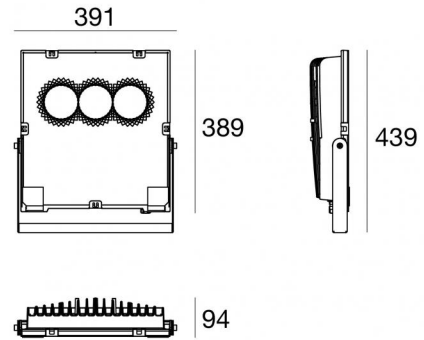


Projectors | 198-264 V AC /180-275 V DC
3 arrayLED 185 W DC - 200 W AC | CRI 80
84443N90



Technical data	
Type	Surface
Installation position	Wall lights - Ceiling - Floor
Installation environment	Outdoor
Light Source	LED
Circuit structure	arrayLED
Optics	Extra Wide Flood
Light emission direction	frontal
Nominal power	185 W DC
Total Power	200 W
Source lumens	31557 lm
Nominal input voltage	220 - 240 V AC
Input voltage range	198 - 264 V AC
Frequency	50 - 60 Hz
CCT / Tone	4000 K
Colour rendering index	80 Ra
C.C. / C.V.	AC
Safety class	1
IP	IP66
IK	IK08
Glow wire test	850°
Direct mounting on normally flammable surfaces	Yes
CE	Yes
Driver included	Driver
Dimmable article	DALI
Directional	Swivelling
total angle (vertical plane)	180 °
total angle (horizontal plane)	0 °
Tilting	No
Walk-over	No
Drive-over	No
Cable included	No
Resin potting	No
Type of light emission	Single emission
Surface exposed to lateral wind	0.039 m ²
Plant surface exposed to the wind	0.13 m ²
Net weight	7.8 Kg
Electrostatic discharge protection	Yes
Surge protection	5 KV

Finishing casing

Material	Die-cast Aluminium EN AB - 46100
Colour	Black
Processing	Powder coating

Finishing diffuser

Material	Extra clear glass - Tempered
Colour	transparent
Processing	Silk-screening

Finishing bracket

Material	Iron
Colour	Black
Processing	Cataphoresis + Powder painting

Projectors | 198-264 V AC /180-275 V DC | 3 arrayLED 185 W DC - 200 W AC | CRI 80 | Base
84443N90

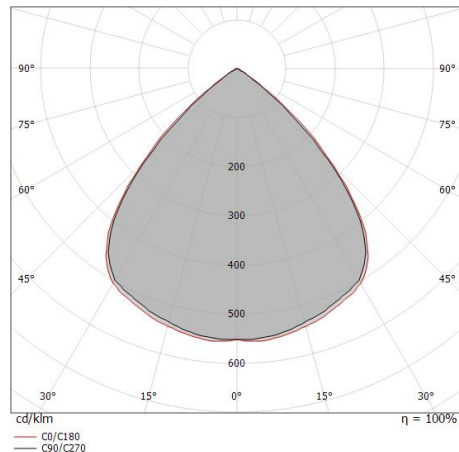
Single emission projectors for outdoor application. The natural white LED light source with a extra wide flood light distribution is composed of 3 arrayed LEDs with CCT of 4000 K and a CRI 80; the source luminous flux is 31557 lm, with a 170.6 lm/W nominal luminous efficacy.

The device body is made of die-cast aluminium en ab - 46100 and features a black finish, processed by means of powder coating; the diffuser is made of extra clear glass - tempered with a silk-screening treatment. The ingress protection degree is IP66; the total weight is of 7.8 kg.

The total absorbed power is 200 W.

The device features protection class I and can be wall lights, ceiling or floor-mounted.

Compliant with the EN 60598-1 standard and its specific provisions.



Distance [m]	Cone diameter [m]	illuminance [lx]
0.5	0.98 1.00	E(0°) 48934 E(C90) 44.4° 8995 E(C0) 44.9° 8788
1.0	1.96 1.99	E(0°) 12233 E(C90) 44.4° 2249 E(C0) 44.9° 2197
1.5	2.94 2.99	E(0°) 5437 E(C90) 44.4° 999 E(C0) 44.9° 976
2.0	3.92 3.98	E(0°) 3058 E(C90) 44.4° 562 E(C0) 44.9° 549
2.5	4.90 4.98	E(0°) 1957 E(C90) 44.4° 360 E(C0) 44.9° 352
3.0	5.88 5.98	E(0°) 1259 E(C90) 44.4° 250 E(C0) 44.9° 244

— C0/C180 (Half-peak divergence: 89.8°)
 - - C90/C270 (Half-peak divergence: 88.8°)

Energy efficiency class

This product contains 3 light sources of energy efficiency class E.

Illuminotechnical Features

Light Output Ratio (LOR)	74 %
Source lumens	31557 lm
Delivered lumens	23627 lm
Consumption	200 W
Luminaire efficacy	118 lm/W
Colour temperature	4000 K
Standard Deviation of Colour Matching	2 Step MacAdam
Colour rendering index	80 Ra
Standard Operating Ambient Temperature	-20 / +50°C
Ordinary temperature on the glass	40°C

LED Life / Failure Ratio

L70 B10 C0 112960h (at Tj 65 Ta 25)

UGR

UGR axial	27.9
UGR transversal	28.1
X=4H Y=8H	S=0.25H
Reflection factor	70/50/20

OPTICAL

C0/C180 optics	89°
Light distribution simmetry	Symmetrical



Protective steel cage

Code
83035