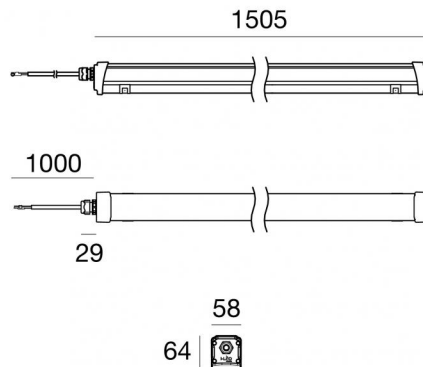


Ceiling Downlights | 198-264 V AC /176-280 V DC  
120 topLED 60 W DC - 64 W AC | CRI 80

**84423N00**



Technical data	
Type	Surface - -
Installation position	Ceiling
Installation environment	Outdoor
Light Source	LED
Circuit structure	topLED
Optics	Diffused
Light emission direction	downward
Nominal power	60 W DC
Total Power	64 W
Source lumens	9768 lm
Nominal input voltage	220 - 240 V AC
Input voltage range	198 - 264 V AC
Frequency	50 - 60 Hz
CCT / Tone	4000 K
Colour rendering index	80 Ra
C.C. / C.V.	AC
Safety class	1
IP	IP65
IK	IK10
Glow wire test	850°
Direct mounting on normally flammable surfaces	Yes
CE	Yes
Driver included	Driver
Dimmable article	No
Directional	No
Tilting	No
Walk-over	No
Drive-over	No
Cable included	Yes
Cable length	1 m
Resin potting	No
Type of light emission	Single emission
Net weight	2.9 Kg
Electrostatic discharge protection	Yes
Surge protection	2 KV

### Finishing casing

Material	Aluminium 6060
Colour	Anodised Aluminum
Processing	20 µm anodizing

### Finishing diffuser

Material	UV Resistant Polycarbonate
Colour	transparent

Ceiling Downlights | 198-264 V AC /176-280 V DC | 120 topLED 60 W DC - 64 W AC | CRI 80 | Base 84423N00

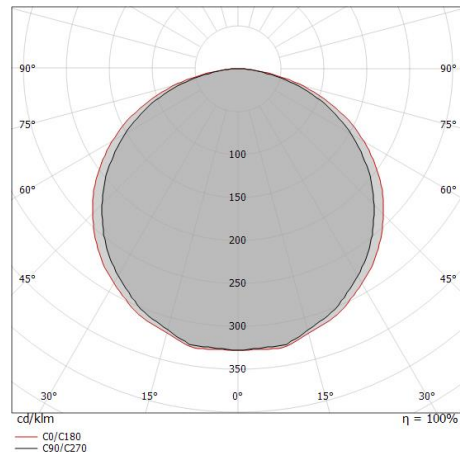
Single emission ceiling downlights for outdoor application. The natural white LED light source with a diffused light distribution is composed of 120 powered LEDs with CCT of 4000 K and a CRI 80; the source luminous flux is 9768 lm, with a 162.8 lm/W nominal luminous efficacy.

The device body is made of aluminium 6060 and features a anodised aluminum finish, processed by means of 20 µm anodizing; the diffuser is made of uv resistant polycarbonate. The ingress protection degree is IP65; the total weight is of 2.9 kg.

The total absorbed power is 64 W. The power supply cable is included and features a 1 m length.

The device features protection class I and can be ceiling-mounted.

Compliant with the EN 60598-1 standard and its specific provisions.



Distance [m]	Cone diameter [m]	illuminance [lx]
0.5	1.58 1.80	E(0°) 5514 E(C90) 425 E(C0) 319
1.0	3.15 3.59	E(0°) 1378 E(C90) 106 E(C0) 80
1.5	4.73 5.39	E(0°) 613 E(C90) 47 E(C0) 35
2.0	6.30 7.19	E(0°) 345 E(C90) 27 E(C0) 20
2.5	7.88 8.98	E(0°) 221 E(C90) 17 E(C0) 13
3.0	9.45 10.78	E(0°) 153 E(C90) 12 E(C0) 9

— C0/C180 (Half-peak divergence: 121.8°)  
— C90/C270 (Half-peak divergence: 115.2°)

### Energy efficiency class

This product contains 5 light sources of energy efficiency class E.

### Illuminotechnical Features

Light Output Ratio (LOR)	43 %
Source lumens	9768 lm
Delivered lumens	4202 lm
Consumption	64 W
Luminaire efficacy	65 lm/W
Colour temperature	4000 K
Standard Deviation of Colour Matching	3 Step MacAdam
Colour rendering index	80 Ra
Standard Operating Ambient Temperature	-20 / +50°C

### LED Life / Failure Ratio

L70 B20 C10 108000h (at Tj 65 Ta 25 )

### UGR

UGR axial	26.7
UGR transversal	27.5
X=4H   Y=8H	S=0.25H
Reflection factor	70/50/20

### OPTICAL

C90/C270 optics	115°
C0/C180 optics	122°
Light distribution simmetry	Symmetrical 2 assis



#### Cable

Type of cable power cable; Length 1000 mm; insulation single; section 1 mm<sup>2</sup>; cable gland: pg7; colors: blue - brown - yellow-green.

#### Code

84863