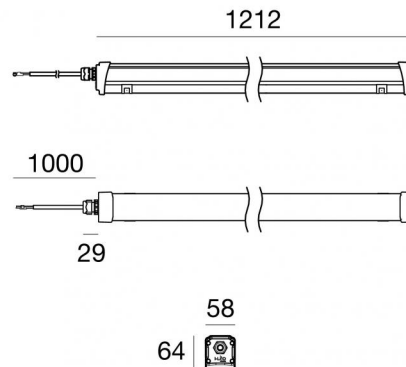


Ceiling Downlights | 198-264 V AC /176-280 V DC  
96 topLED 49 W DC - 54 W AC | CRI 80  
**84422W12**



Technical data	
Type	Surface - -
Installation position	Ceiling
Installation environment	Outdoor
Light Source	LED
Circuit structure	topLED
Optics	Extra Wide Flood
Light emission direction	downward
Nominal power	49 W DC
Total Power	54 W
Source lumens	7704 lm
Nominal input voltage	220 - 240 V AC
Input voltage range	198 - 264 V AC
Frequency	50 - 60 Hz
CCT / Tone	3000 K
Colour rendering index	80 Ra
C.C. / C.V.	AC
Safety class	1
IP	IP65
IK	IK10
Glow wire test	850°
Direct mounting on normally flammable surfaces	Yes
CE	Yes
Driver included	Driver
Dimmable article	No
Directional	No
Tilting	No
Walk-over	No
Drive-over	No
Cable included	Yes
Cable length	1 m
Resin potting	No
Type of light emission	Single emission
Net weight	14.8 Kg
Electrostatic discharge protection	Yes
Surge protection	2 KV

Finishing casing	
Material	Aluminium 6060
Colour	Anodised Aluminum
Processing	20 µm anodizing
Finishing diffuser	
Material	UV Resistant Polycarbonate
Colour	transparent

Ceiling Downlights | 198-264 V AC /176-280 V DC | 96 topLED 49 W DC - 54 W AC | CRI 80  
 | Base  
**84422W12**

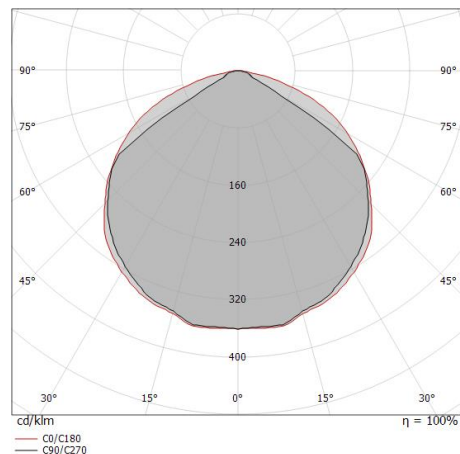
Single emission ceiling downlights for outdoor application. The warm white LED light source with a extra wide flood light distribution is composed of 96 powered LEDs with CCT of 3000 K and a CRI 80; the source luminous flux is 7704 lm, with a 157.2 lm/W nominal luminous efficacy.

The device body is made of aluminium 6060 and features a anodised aluminum finish, processed by means of 20 µm anodizing; the diffuser is made of uv resistant polycarbonate. The ingress protection degree is IP65; the total weight is of 14.8 kg.

The total absorbed power is 54 W. The power supply cable is included and features a 1 m length.

The device features protection class I and can be ceiling-mounted.

Compliant with the EN 60598-1 standard and its specific provisions.



Distance [m]	Cone diameter [m]	illuminance [lx]
0.5	1.47 1.70	E(0°) 7936 E(C90) 712 E(C0) 517
1.0	2.94 3.41	E(0°) 1984 E(C90) 178 E(C0) 129
1.5	4.41 5.11	E(0°) 882 E(C90) 79 E(C0) 57
2.0	5.89 6.82	E(0°) 496 E(C90) 44 E(C0) 32
2.5	7.36 8.52	E(0°) 317 E(C90) 28 E(C0) 21
3.0	8.83 10.23	E(0°) 220 E(C90) 20 E(C0) 14

— C0/C180 (Half-peak divergence: 119.2°)  
 — C90/C270 (Half-peak divergence: 111.6°)

### Energy efficiency class

This product contains 4 light sources of energy efficiency class E.

### Illuminotechnical Features

Light Output Ratio (LOR)	71 %
Source lumens	7704 lm
Delivered lumens	5502 lm
Consumption	54 W
Luminaire efficacy	101 lm/W
Colour temperature	3000 K
Standard Deviation of Colour Matching	3 Step MacAdam
Colour rendering index	80 Ra
Standard Operating Ambient Temperature	-25 / +45°C

### LED Life / Failure Ratio

L70 B20 C10 108000h (at Tj 65 Ta 25 )

### UGR

UGR axial	24.6
UGR transversal	28.4
X=4H   Y=8H	S=0.25H
Reflection factor	70/50/20

### OPTICAL

C90/C270 optics	112°
C0/C180 optics	119°
Light distribution simmetry	Symmetrical 2 assis



### Cable

Type of cable power cable; Length 1000 mm; insulation single; section 1 mm<sup>2</sup>; cable gland: pg7; colors: blue - brown - yellow-green.

**Code**

84863



### Connector

Type of cable power cable; ; insulation single; section 1 mm<sup>2</sup>; cable gland: yes; colors: blue - brown - yellow-green.

**Code**

99737