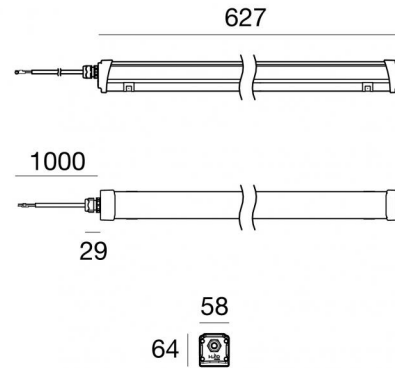




Ceiling Downlights | 198-264 V AC /176-280 V DC
48 topLED 24 W DC - 27 W AC | CRI 80
84421W69



Technical data	
Type	Surface - -
Installation position	Ceiling
Installation environment	Outdoor
Light Source	LED
Circuit structure	topLED
Optics	Double Asymmetric
Light emission direction	downward
Nominal power	24 W DC
Total Power	27 W
Source lumens	3852 lm
Nominal input voltage	220 - 240 V AC
Input voltage range	198 - 264 V AC
Frequency	50 - 60 Hz
CCT / Tone	3000 K
Colour rendering index	80 Ra
C.C. / C.V.	AC
Safety class	1
IP	IP65
IK	IK10
Glow wire test	850°
Direct mounting on normally flammable surfaces	Yes
CE	Yes
Driver included	Driver
Dimmable article	No
Directional	No
Tilting	No
Walk-over	No
Drive-over	No
Cable included	Yes
Cable length	1 m
Resin potting	No
Type of light emission	Single emission
Net weight	1.5 Kg
Electrostatic discharge protection	Yes
Surge protection	2 KV

Finishing casing	
Material	Aluminium 6060
Colour	Anodised Aluminum
Processing	20 µm anodizing
Finishing diffuser	
Material	UV Resistant Polycarbonate
Colour	transparent

Ceiling Downlights | 198-264 V AC /176-280 V DC | 48 topLED 24 W DC - 27 W AC | CRI 80
| Base
84421W69

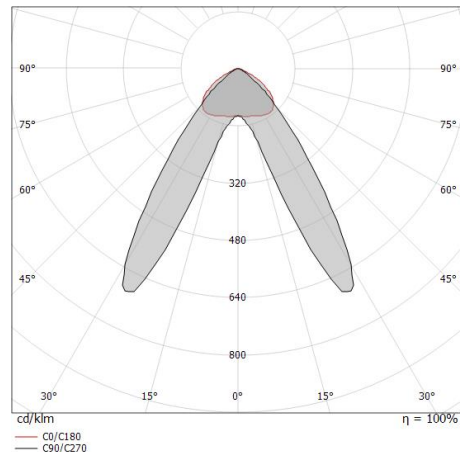
Single emission ceiling downlights for outdoor application. The warm white LED light source with a double asymmetric light distribution is composed of 48 powered LEDs with CCT of 3000 K and a CRI 80; the source luminous flux is 3852 lm, with a 160.5 lm/W nominal luminous efficacy.

The device body is made of aluminium 6060 and features a anodised aluminum finish, processed by means of 20 µm anodizing; the diffuser is made of uv resistant polycarbonate. The ingress protection degree is IP65; the total weight is of 1.5 kg.

The total absorbed power is 27 W. The power supply cable is included and features a 1 m length.

The device features protection class I and can be ceiling-mounted.

Compliant with the EN 60598-1 standard and its specific provisions.



Distance [m]	Cone diameter [m]	illuminance [lx]
0.5	0.75 1.71	E(0°) 1442 E(C90) 36.9° 1973 E(C0) 59.7° 107
1.0	1.50 3.42	E(0°) 361 E(C90) 36.9° 493 E(C0) 59.7° 27
1.5	2.25 5.13	E(0°) 160 E(C90) 36.9° 219 E(C0) 59.7° 12
2.0	3.00 6.85	E(0°) 90 E(C90) 36.9° 123 E(C0) 59.7° 7
2.5	3.75 8.56	E(0°) 58 E(C90) 36.9° 79 E(C0) 59.7° 4
3.0	4.50 10.27	E(0°) 40 E(C90) 36.9° 55 E(C0) 59.7° 3

— C0/C180 (Half-peak divergence: 119.4°)
— C90/C270 (Half-peak divergence: 73.8°)

Energy efficiency class

This product contains 2 light sources of energy efficiency class E.

Illuminotechnical Features

Light Output Ratio (LOR)	71 %
Source lumens	3852 lm
Delivered lumens	2741 lm
Consumption	27 W
Luminaire efficacy	101 lm/W
Colour temperature	3000 K
Standard Deviation of Colour Matching	3 Step MacAdam
Colour rendering index	80 Ra
Standard Operating Ambient Temperature	-25 / +45°C

LED Life / Failure Ratio

L70 B20 C10 108000h (at Tj 65 Ta 25)

UGR

UGR axial	23.2
UGR transversal	26.2
X=4H Y=8H	S=0.25H
Reflection factor	70/50/20

OPTICAL

C90/C270 optics	74°
C0/C180 optics	119°
Light distribution simmetry	Symmetrical 2 assis



Cable

Type of cable power cable; Length 1000 mm; insulation single; section 1 mm²; cable gland: pg7; colors: blue - brown - yellow-green.

Code

84863



Connector

Type of cable power cable; ; insulation single; section 1 mm²; cable gland: yes; colors: blue - brown - yellow-green.

Code

99737