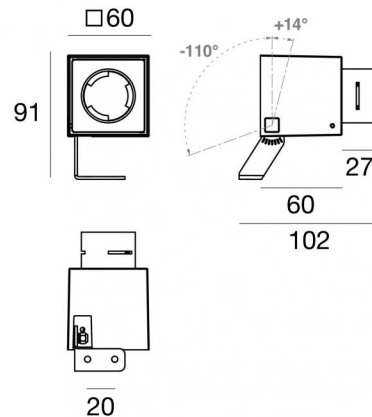


Periskop60



Projectors | 180-264 V AC /230-280 V DC
1 x powerLED 6 W DC - 7.5 W AC | CRI 80
84240M10



Technical data	
Type	Surface
Installation position	Wall lights - Ceiling - Floor
Installation environment	Outdoor
Light Source	LED
Circuit structure	powerLED
Optics	Spot
Light emission direction	frontal
Nominal power	6 W DC
Total Power	7.5 W
Source lumens	659 lm
Nominal input voltage	220 - 240 V AC
Input voltage range	180 - 264 V AC
Frequency	50 - 60 Hz
CCT / Tone	2700 K
Colour rendering index	80 Ra
C.C. / C.V.	AC
Safety class	2
IP	IP66
IK	IK08
Glow wire test	850°
Direct mounting on normally flammable surfaces	Yes
CE	Yes
Driver included	Driver
Dimmable article	No
Directional	Swivelling
total angle (vertical plane)	124 °
Tilting	No
Walk-over	No
Drive-over	No
Cable included	Yes
Cable length	1 m
Resin potting	No
Type of light emission	Single emission
Net weight	0.35 Kg
Electrostatic discharge protection	Yes
Surge protection	1 KV

Finishing casing

Material	Die-cast Aluminium EN AB - 46100
Colour	Dark brown
Processing	Open pore anodizing + Powder Coating

Finishing diffuser

Material	Extra clear glass - Tempered
Colour	transparent
Processing	Silk-screening

Finishing bracket

Material	AISI 304 steel
Colour	Black
Processing	Powder coating

The driver contained in the device complies with IEC 61347-2-13 annex J, and can therefore be powered by centralized power systems.



Projectors | 180-264 V AC /230-280 V DC | 1 x powerLED 6 W DC - 7.5 W AC | CRI 80 |
Base
84240M10

Single emission projectors for outdoor application. The super warm white LED light source with a spot light distribution is composed of 1 powered LEDs with CCT of 2700 K and a CRI 80; the source luminous flux is 659 lm, with a 109.8 lm/W nominal luminous efficacy.

The device body is made of die-cast aluminium en ab - 46100 and features a dark brown finish, processed by means of open pore anodizing + powder coating; the diffuser is made of extra clear glass - tempered with a silk-screening treatment. The ingress protection degree is IP66; the total weight is of 0.35 kg.

The total absorbed power is 7.5 W. The power supply cable is included and features a 1 m length.

The device features protection class II and can be wall lights, ceiling or floor-mounted.

Compliant with the EN 60598-1 standard and its specific provisions.

Energy efficiency class

This product contains a light source of energy efficiency class E.

Illuminotechnical Features

Light Output Ratio (LOR)	71 %
Source lumens	659 lm
Delivered lumens	469 lm
Consumption	7.5 W
Luminaire efficacy	62 lm/W
Colour temperature	2700 K
Standard Deviation of Colour Matching	3 Step MacAdam
Colour rendering index	80 Ra
Black Body Locus	On
Standard Operating Ambient Temperature	-20 / +50°C
Ordinary temperature on the glass	50°C

LED Life / Failure Ratio

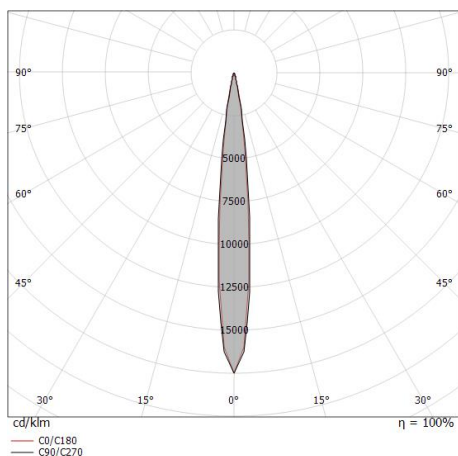
L70 B10 C0 247450h (at Tj 60 Ta 25)

UGR

UGR axial	13.8
UGR transversal	13.6
X=4H Y=8H	S=0.25H
Reflection factor	70/50/20

OPTICAL

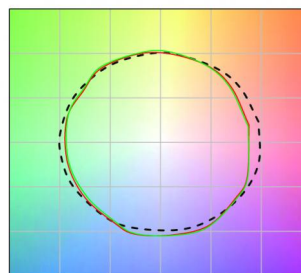
C0/C180 optics	11°
Light distribution simmetry	Symmetrical



Distance [m]	Cone diameter [m]	illuminance [lx]
0.5	0.10 0.10	E(0°) 32768 E(C90) 5.8° 16485 E(C0) 5.5° 16284
1.0	0.20 0.19	E(0°) 8192 E(C90) 5.8° 4121 E(C0) 5.5° 4071
1.5	0.30 0.29	E(0°) 3641 E(C90) 5.8° 1832 E(C0) 5.5° 1809
2.0	0.41 0.38	E(0°) 2048 E(C90) 5.8° 1030 E(C0) 5.5° 1018
2.5	0.51 0.48	E(0°) 1311 E(C90) 5.8° 659 E(C0) 5.5° 651
3.0	0.61 0.58	E(0°) 910 E(C90) 5.8° 458 E(C0) 5.5° 452

— C0/C180 (Half-peak divergence: 11.0°)
— C90/C270 (Half-peak divergence: 11.6°)

COLOR VECTOR GRAPHIC





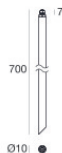
Picket
installation position: land,Cover material: pc

Code
89371



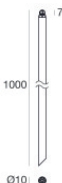
Picket - L. 160mm
installation position: land,Cover material: aisi 304 steel

Code
98624



Picket - L. 700mm
installation position: land,Cover material: aisi 304 steel

Code
C-F500002



Picket - L. 1000mm
installation position: land,Cover material: aisi 304 steel

Code
C-F500003