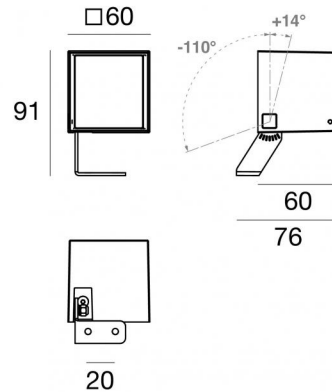


# Periskop60



Projectors | 180-264 V AC /230-280 V DC  
1 arrayLED 6.7 W DC - 8.7 W AC | CRI 80  
**84235M45**



Technical data	
Type	Surface
Installation position	Wall lights - Ceiling - Floor
Installation environment	Outdoor
Light Source	LED
Circuit structure	arrayLED
Optics	45°
Light emission direction	frontal
Nominal power	6.7 W DC
Total Power	8.7 W
Source lumens	849 lm
Nominal input voltage	220 - 240 V AC
Input voltage range	180 - 264 V AC
Frequency	50 - 60 Hz
CCT / Tone	2700 K
Colour rendering index	80 Ra
C.C. / C.V.	AC
Safety class	2
IP	IP66
IK	IK05
Glow wire test	850°
Direct mounting on normally flammable surfaces	Yes
CE	Yes
Driver included	Driver
Dimmable article	No
Directional	Swivelling
total angle (vertical plane)	124 °
Tilting	No
Walk-over	No
Drive-over	No
Cable included	Yes
Cable length	1 m
Resin potting	No
Type of light emission	Single emission
Net weight	0.325 Kg
Electrostatic discharge protection	Yes
Surge protection	1 KV

## Finishing casing

Material	Die-cast Aluminium EN AB - 46100
Colour	Grey
Processing	Open pore anodizing + Powder Coating

## Finishing diffuser

Material	Extra clear glass - Tempered
Colour	transparent
Processing	Silk-screening

## Finishing bracket

Material	AISI 304 steel
Colour	Black
Processing	Powder coating

## Cables Electrification

Cable connector	No
-----------------	----

The driver contained in the device complies with IEC 61347-2-13 annex J, and can therefore be powered by centralized power systems.



Projectors | 180-264 V AC /230-280 V DC | 1 arrayLED 6.7 W DC - 8.7 W AC | CRI 80 |  
Base  
**84235M45**

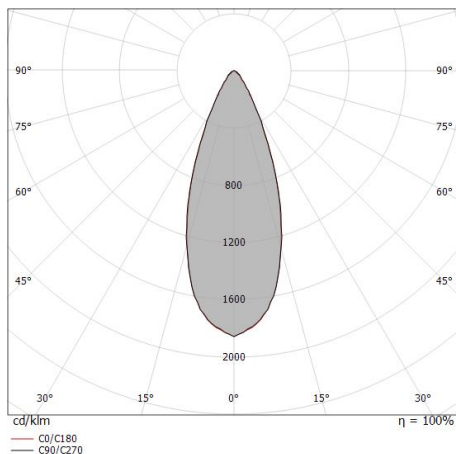
Single emission projectors for outdoor application. The super warm white LED light source is composed of 1 arrayed LEDs with CCT of 2700 K and a CRI 80; the source luminous flux is 849 lm, with a 126.7 lm/W nominal luminous efficacy.

The device body is made of die-cast aluminium en ab - 46100 and features a grey finish, processed by means of open pore anodizing + powder coating; the diffuser is made of extra clear glass - tempered with a silk-screening treatment. The ingress protection degree is IP66; the total weight is of 0.325 kg.

The total absorbed power is 8.7 W. The power supply cable is included and features a 1 m length.

The device features protection class II and can be wall lights, ceiling or floor-mounted.

Compliant with the EN 60598-1 standard and its specific provisions.



Distance [m]	Cone diameter [m]	illuminance [lx]
0.5	0.36 0.36	E(0°) 4591 E(C90) 1918 E(C0) 1929
1.0	0.72 0.71	E(0°) 1148 E(C90) 480 E(C0) 482
1.5	1.08 1.07	E(0°) 510 E(C90) 213 E(C0) 214
2.0	1.44 1.42	E(0°) 287 E(C90) 120 E(C0) 121
2.5	1.80 1.78	E(0°) 184 E(C90) 77 E(C0) 77
3.0	2.16 2.14	E(0°) 128 E(C90) 53 E(C0) 54

— C0/C180 (Half-peak divergence: 39.2°)  
— C90/C270 (Half-peak divergence: 39.6°)

### Energy efficiency class

This product contains a light source of energy efficiency class F.

### Illuminotechnical Features

Light Output Ratio (LOR)	72 %
Source lumens	849 lm
Delivered lumens	619 lm
Consumption	8.7 W
Luminaire efficacy	71 lm/W
Colour temperature	2700 K
Standard Deviation of Colour Matching	3 Step MacAdam
Colour rendering index	80 Ra

Standard Operating Ambient Temperature	-20 / +50°C
Ordinary temperature on the glass	50°C

### LED Life / Failure Ratio

L70 B10 C0 134020h (at Tj 65 Ta 25 )

### UGR

UGR axial	23.5
UGR transversal	23.5
X=4H   Y=8H	S=0.25H
Reflection factor	70/50/20

### OPTICAL

C0/C180 optics	39°
Light distribution simmetry	Symmetrical



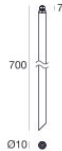
Picket  
installation position: land,Cover material: pc

**Code**  
89371



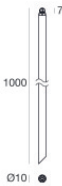
Picket - L. 160mm  
installation position: land,Cover material: aisi 304 steel

**Code**  
98624



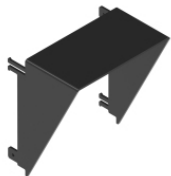
Picket - L. 700mm  
installation position: land,Cover material: aisi 304 steel

**Code**  
C-F500002



Picket - L. 1000mm  
installation position: land,Cover material: aisi 304 steel

**Code**  
C-F500003



Anti-glare  
Anti-glare Type: eyelid.  
Material:AISI 304 steel, colour:Black, processing:Powder coating.

**Code**  
83245