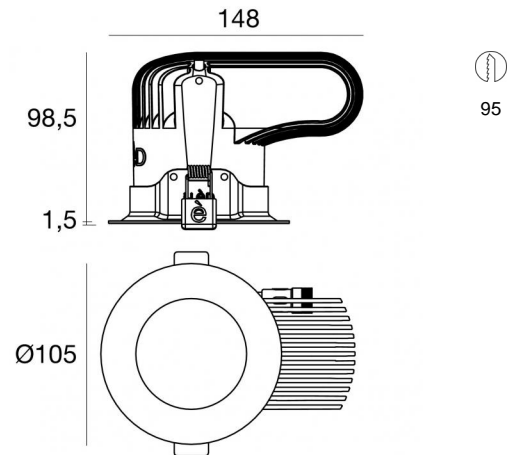




Downlights | 16 x powerLEDs 15 W DC 700 mA
CRI 90 | Dynamic White
84125D60



Technical data

Type	Encasement with flange
Installation position	Ceiling
Installation environment	Indoor
Light Source	LED
Circuit structure	powerLEDs
Optics	Wide Flood
Light emission direction	downward
Nominal power	15 W DC
Input voltage range	700mA
Source lumens 2700K	1608 lm
Minimum color temperature	2700 K
Source lumens 5700K	1960 lm
Maximum color temperature	5700 K
CCT / Tone	Dynamic White
Colour rendering index	90 Ra
C.C. / C.V.	CC
Safety class	3
IP	IP44
Optical compartment IP	IP65
IK	IK08
Glow wire test	850°
Direct mounting on normally flammable surfaces	Yes
CE	Yes
Driver included	No
Dimmable article	DALI DT8
Directional	No
Tilting	No
Walk-over	No
Drive-over	No
Cable included	Yes
Cable length	0.300 m
Resin potting	No
Type of light emission	Single emission
Net weight	0.68 Kg
Electrostatic discharge protection	No
Surge protection	No
Optics technology	Honey comb

Finishing casing

Material	Die-cast Aluminium EN AB - 46100
Colour	Grey
Processing	Powder coating


Finishing diffuser

Material	UV Resistant Polycarbonate
Colour	transparent

Finishing radiator

Material	Die-cast Aluminium EN AB - 46100
Colour	Aluminium
Processing	Polishing

Electronics

	83159 DALI-2 - DALI DT8 Multi Channel 5ch. 198~264V AC (1 - 2 art.)
---	--

	C-E500003 DMX-RDM - NFC Multi Channel 4ch. 19~50V DC (1 - 3 art.)
---	--

Cables Electrification

IP (locked condition)	66
Cable connector	Female Easy plug
Cable connector	Male Easy plug



Downlights | 16 x powerLEDs 15 W DC 700 mA | CRI 90 | Dynamic White
84125D60

Single emission recessed downlights for indoor application. The dynamic white LED light source with a wide flood light distribution is composed of 16 powerleds LEDs with CCT of From 2700 to 5700 K and a CRI 90.

The device body is made of die-cast aluminium en ab - 46100 and features a grey finish, processed by means of powder coating; the diffuser is made of uv resistant polycarbonate. The ingress protection degree is IP44; the total weight is of 0.68 kg. The power supply driver is not provided and is to be ordered separately.

The total absorbed power is 15 W. The power supply cable is included and features a 0.300 m length.

The device features protection class III and can be ceiling-mounted, with a 95 mm diameter hole (in plasterboard).

Compliant with the EN 60598-1 standard and its specific provisions.

Energy efficiency class

This product contains a light source of energy efficiency class F.

Illuminotechnical Features

Standard Deviation of Colour Matching	3 Step MacAdam
Colour rendering index	90 Ra
Standard Operating Ambient Temperature	-20 / +50°C
Ordinary temperature on the glass	40°C

LED Life / Failure Ratio

L70 B10 C0 60500h