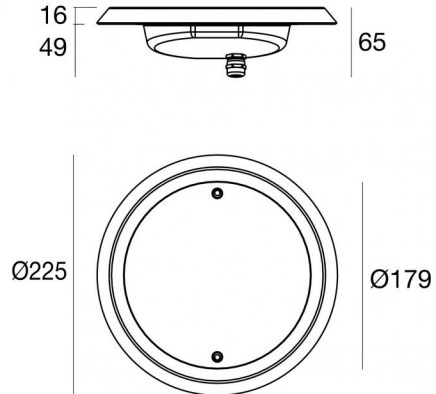


# Nautilus\_R



Submerged | 9 x powerLEDs 38 W DC 700 mA  
 RGBW - 4000  
**84044Q32**



Technical data	
Type	Frame
Installation position	Wall lights - Floor
Installation environment	Outdoor
Light Source	LED
Circuit structure	powerLEDs
Optics	Mix Flux 2 Asymmetric + Flood
Light emission direction	frontal
Nominal power	38 W DC
Input voltage range	700mA
CCT / Tone	RGBW - 4000 K
C.C. / C.V.	CC
Safety class	3
IP	IP68
Maximum installation depth	25 m
Installation limitations	Only underwater
IK	IK10
Glow wire test	850°
Direct mounting on normally flammable surfaces	Yes
CE	Yes
Driver included	No
Dimmable article	Yes
Directional	No
Tilting	No
Walk-over	No
Drive-over	No
Cable included	Yes
Cable length	5 m
Resin potting	Yes
Type of light emission	Single emission
Net weight	0.8 Kg
Electrostatic discharge protection	No
Surge protection	No
Product technological characteristics	Acquastop

### Finishing casing

Material	AISI 316L steel
Colour	steel


### Finishing diffuser


Material	Extra clear glass - Tempered
Colour	transparent
Processing	Silk-screening

### Finishing flange

Material	Stainless steel 316
Colour	steel
Processing	electropolishing

### Electronics

 83010  
 On/Off Driver 90~264V AC / 127~370V DC 60 W (1 art.)

 83187  
 Push and Simply Dim - DMX-RDM Multi Channel 4ch. 10.8~52.8V DC (1 art.)

### Lumen RGBW

N. Led	Red	Green	Blue	white
9	261 lm	675 lm	216 lm	783 lm



Submerged | 9 x powerLEDs 38 W DC 700 mA | RGBW - 4000  
**84044Q32**

Single emission submerged for outdoor application. The RGBW - 4000 K LED light source with a mix flux 2 asymmetric + flood light distribution is composed of 9 powerled LEDs with CCT of RGB-W 4000 K.

The device body is made of aisi 316l steel and features a steel finish; the diffuser is made of extra clear glass - tempered with a silk-screening treatment. The ingress protection degree is IP68; the total weight is of 0.8 kg. The power supply driver is not provided and is to be ordered separately.

The total absorbed power is 38 W. The power supply cable is included and features a 5 m length.

The device features protection class III and can be wall lights or floor-mounted with an outer casing, code 83198(for concrete or masonry).

Compliant with the EN 60598-1 standard and its specific provisions.

Standard Operating Ambient Temperature	-20 / +50°C
Ordinary temperature on the glass	40°C

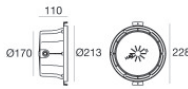


Nautilus\_R | Submerged | Accessories  
84044Q32



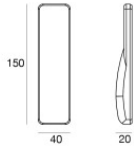
Outer casing - Outer Casing for installation on canvas  
installation position: wall lights; type of installation: masonry L=213mm, H=213mm,  
D=110mm.  
Material:ABS Plastic, colour:black.

**Code**  
83198



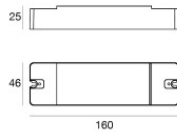
Outer casing - IP68 casing for installation on masonry (tiles or mosaic)  
installation position: wall lights; type of installation: masonry L=213mm, H=213mm,  
D=110mm.  
Material:ABS Plastic, colour:black.

**Code**  
83142



RF remote control

**Code**  
C-W600001



Dimmer  
RF Remote controller

**Code**  
C-E700003