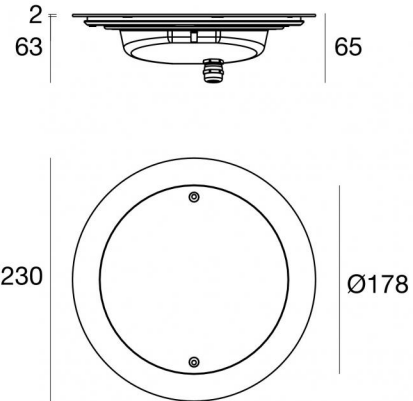


Nautilus_RF



Submerged | x powerLEDs 0 W DC 500 mA
 RGBW - 3000
84039V25



Technical data	
Type	Frame
Installation position	Wall lights - Floor
Installation environment	Outdoor
Light Source	LED
Circuit structure	powerLEDs
Optics	Elliptic Medium Flood
Light emission direction	frontal
Nominal power	0 W DC
Input voltage range	500mA
CCT / Tone	RGBW - 3000 K
C.C. / C.V.	CC
Safety class	3
IP	IP68
Maximum installation depth	25 m
Installation limitations	Only underwater
IK	IK10
Glow wire test	850°
Direct mounting on normally flammable surfaces	Yes
CE	Yes
Driver included	No
Dimmable article	Yes
Directional	No
Tilting	No
Walk-over	No
Drive-over	No
Cable included	Yes
Cable length	5 m
Resin potting	Yes
Type of light emission	Single emission
Net weight	2.4 Kg
Electrostatic discharge protection	No
Surge protection	No
Product technological characteristics	Acquastop

Finishing casing	
Material	AISI 316L steel
Colour	steel
Finishing diffuser	
Material	Extra clear glass - Tempered
Colour	transparent
Processing	Silk-screening
Finishing flange	
Material	Stainless steel 316
Colour	steel
Processing	electropolishing

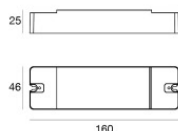


Nautilus_RF | Submerged | Accessories
84039V25



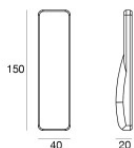
Outer casing - IP68 casing for installation on masonry (tiles or mosaic)
installation position: wall lights; type of installation: masonry L=213mm, H=213mm,
D=110mm.
Material:ABS Plastic, colour:black.

Code
83142



Dimmer
RF Remote controller

Code
C-E700003



RF remote control

Code
C-W600001