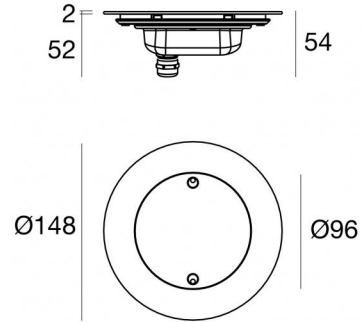


Nautilus_RF



Submerged | 3 x powerLEDs 13 W DC 350 mA
 RGBW - 3000
84034V20



| Technical data | |
|--|---------------------|
| Type | Frame |
| Installation position | Wall lights - Floor |
| Installation environment | Outdoor |
| Light Source | LED |
| Circuit structure | powerLEDs |
| Optics | Flood |
| Light emission direction | frontal |
| Nominal power | 13 W DC |
| Input voltage range | 350mA |
| CCT / Tone | RGBW - 3000 K |
| C.C. / C.V. | CC |
| Safety class | 3 |
| IP | IP68 |
| Maximum installation depth | 25 m |
| Installation limitations | Only underwater |
| IK | IK10 |
| Glow wire test | 850° |
| Direct mounting on normally flammable surfaces | Yes |
| CE | Yes |
| Driver included | No |
| Dimmable article | Yes |
| Directional | No |
| Tilting | No |
| Walk-over | No |
| Drive-over | No |
| Cable included | Yes |
| Cable length | 5 m |
| Resin potting | Yes |
| Type of light emission | Single emission |
| Net weight | 0.68 Kg |
| Electrostatic discharge protection | No |
| Surge protection | No |
| Product technological characteristics | Acquastop |

Finishing casing

| | |
|----------|-----------------|
| Material | AISI 316L steel |
| Colour | steel |


Finishing diffuser


| | |
|------------|------------------------------|
| Material | Extra clear glass - Tempered |
| Colour | transparent |
| Processing | Silk-screening |

Finishing flange

| | |
|------------|---------------------|
| Material | Stainless steel 316 |
| Colour | steel |
| Processing | electropolishing |

Electronics

 83010
 On/Off Driver 90~264V AC / 127~370V DC 60 W (1 - 4 art.)

 83187
 Push and Simply Dim - DMX-RDM Multi Channel 4ch. 10.8~52.8V DC (1 art.)

Lumen RGBW

| N. Led | Red | Green | Blue | white |
|--------|--------|--------|--------|--------|
| 3 | 135 lm | 312 lm | 105 lm | 375 lm |



Submerged | 3 x powerLEDs 13 W DC 350 mA | RGBW - 3000
84034V20

Single emission submerged for outdoor application. The RGBW - 3000 K LED light source with a flood light distribution is composed of 3 powered LEDs with CCT of RGB-W 3000 K.

The device body is made of aisi 316l steel and features a steel finish; the diffuser is made of extra clear glass - tempered with a silk-screening treatment. The ingress protection degree is IP68; the total weight is of 0.68 kg. The power supply driver is not provided and is to be ordered separately.

The total absorbed power is 13 W. The power supply cable is included and features a 5 m length.

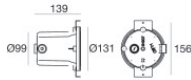
The device features protection class III and can be wall lights or floor-mounted with an outer casing, code 83141 (for concrete or masonry).

Compliant with the EN 60598-1 standard and its specific provisions.

| | |
|--|-------------|
| Standard Operating Ambient Temperature | -20 / +50°C |
| Ordinary temperature on the glass | 40°C |

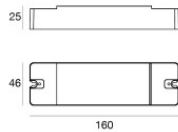


Nautilus_RF | Submerged | Accessories
84034V20



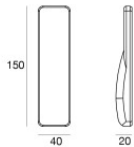
Outer casing - IP68 casing for installation on masonry (tiles or mosaic)
installation position: wall lights; type of installation: masonry L=131mm, H=131mm,
D=139mm.
Material:ABS Plastic, colour:black.

Code
83141



Dimmer
RF Remote controller

Code
C-E700003



RF remote control

Code
C-W600001