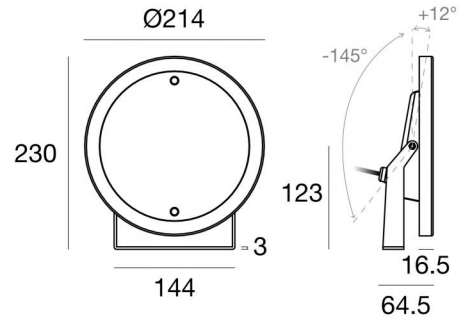


# Nautilus\_RP



Submerged | 9 x powerLEDs 25 W DC 700 mA  
 RGBW - 4000  
**84030Q20**



Technical data	
Type	Surface
Installation position	Wall lights - Ceiling - Floor
Installation environment	Outdoor
Light Source	LED
Circuit structure	powerLEDs
Optics	Flood
Light emission direction	frontal
Nominal power	25 W DC
Input voltage range	700mA
CCT / Tone	RGBW - 4000 K
C.C. / C.V.	CC
Safety class	3
IP	IP68
Maximum installation depth	25 m
Installation limitations	Only underwater
IK	IK10
Glow wire test	850°
Direct mounting on normally flammable surfaces	Yes
CE	Yes
Driver included	No
Dimmable article	Yes
Directional	Swivelling
total angle (vertical plane)	157 °
Tilting	No
Walk-over	No
Drive-over	No
Cable included	Yes
Cable length	5 m
Resin potting	Yes
Type of light emission	Single emission
Net weight	2.86 Kg
Electrostatic discharge protection	No
Surge protection	No
Product technological characteristics	Acquastop

### Finishing casing

Material	AISI 316L steel
Colour	steel


### Finishing diffuser


Material	Extra clear glass - Tempered
Colour	transparent
Processing	Silk-screening

### Finishing bracket

Material	Stainless steel 316
Colour	steel
Processing	Brushing

### Electronics

 83010  
 On/Off Driver 90~264V AC / 127~370V DC 60 W (1 - 2 art.)

 83187  
 Push and Simply Dim - DMX-RDM Multi Channel 4ch. 10.8~52.8V DC (1 art.)

### Lumen RGBW

N. Led	Red	Green	Blue	white
9	261 lm	675 lm	216 lm	783 lm



Submerged | 9 x powerLEDs 25 W DC 700 mA | RGBW - 4000  
**84030Q20**

Standard Operating Ambient Temperature	-20 / +50°C
--	-------------

Single emission submerged for outdoor application. The RGBW - 4000 K LED light source with a flood light distribution is composed of 9 powered LEDs with CCT of RGB-W 4000 K.

The device body is made of aisi 316l steel and features a steel finish; the diffuser is made of extra clear glass - tempered with a silk-screening treatment. The ingress protection degree is IP68; the total weight is of 2.86 kg. The power supply driver is not provided and is to be ordered separately.

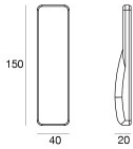
The total absorbed power is 25 W. The power supply cable is included and features a 5 m length.

The device features protection class III and can be wall lights, ceiling or floor-mounted.

Compliant with the EN 60598-1 standard and its specific provisions.



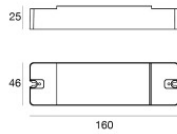
Nautilus\_RP | Submerged | Accessories  
**84030Q20**



RF remote control

**Code**

C-W600001



Dimmer

RF Remote controller

**Code**

C-E700003