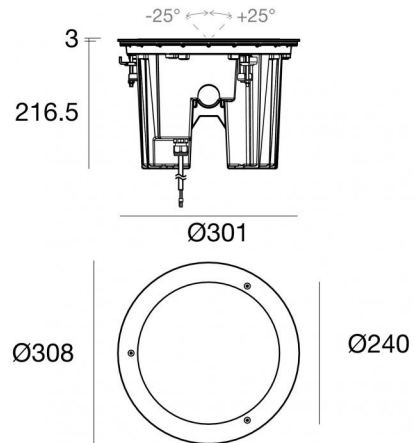




Uplights | arrayLED 0 W DC - 48.2 W AC | CRI 80
83780N50



Technical data	
Type	Drive Over
Installation position	Floor
Installation environment	Outdoor
Light Source	LED
Circuit structure	arrayLED
Optics	50°
Light emission direction	upward
Nominal power	0 W DC
Total Power	48.2 W
Nominal input voltage	220 - 240 V AC
Input voltage range	100 - 264 V AC
CCT / Tone	4000 K
Colour rendering index	80 Ra
C.C. / C.V.	AC
Safety class	1
IP	IP68
Installation limitations	Not for underwater use
IK	IK10
Glow wire test	850°
Direct mounting on normally flammable surfaces	No
CE	Yes
Driver included	Driver
Dimmable article	DALI
Directional	No
Tilting	No
Walk-over	Yes
Drive-over	5000 Kg
Cable included	Yes
Cable length	1 m
Resin potting	Yes
Type of light emission	Single emission
Net weight	8 Kg
Electrostatic discharge protection	Yes
Surge protection	3 KV
Optics technology	Honey comb
Product technological characteristics	Acquastop

Finishing casing

Material	Die-cast Aluminium EN AB - 46100
Colour	black
Processing	Open pore anodizing + Powder Coating

Finishing diffuser

Material	Extra clear glass - Tempered
Colour	transparent
Processing	Silk-screening

Finishing flange

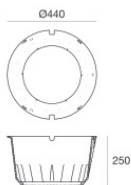
Material	AISI 316 steel
Colour	steel
Processing	Brushing

Cables Electrification+signal

Cable connector	No
-----------------	----



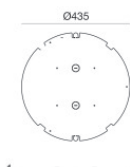
Suelo_RXFJ | Uplights | Accessories
83780N50



Outer casing
installation position: floor, land; type of installation: masonry L=440mm, H=250mm,
D=440mm.
Material:ABS Plastic, colour:black.

Code

83096



Accessories for outer casings - Caseback for outercasing
Material:Galvanised Iron, colour:grey, processing:Galvanising.

Code

93099



Template

Code

83098