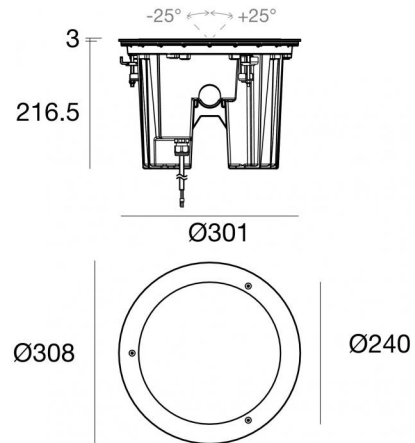


Suelo_RXFJ



Uplights | 100-264 V AC /170-280 V DC
1 arrayLED 44.2 W DC - 48.2 W AC | CRI 80
83779W15



Technical data	
Type	Drive Over
Installation position	Floor
Installation environment	Outdoor
Light Source	LED
Circuit structure	arrayLED
Optics	Spot
Light emission direction	downward
Nominal power	44.2 W DC
Total Power	48.2 W
Source lumens	7045 lm
Nominal input voltage	220 - 240 V AC
Input voltage range	100 - 264 V AC
Frequency	50 - 60 Hz
CCT / Tone	3000 K
Colour rendering index	80 Ra
C.C. / C.V.	AC
Safety class	1
IP	IP68
Installation limitations	Not for underwater use
IK	IK10
Glow wire test	850°
Direct mounting on normally flammable surfaces	No
CE	Yes
Driver included	Driver
Dimmable article	DALI
Directional	No
Tilting	Yes
total angle (vertical plane)	50 °
Walk-over	Yes
Drive-over	5000 Kg
Cable included	Yes
Cable length	1 m
Resin potting	Yes
Type of light emission	Single emission
Net weight	8 Kg
Electrostatic discharge protection	Yes
Surge protection	3 KV
Product technological characteristics	Acquastop

Finishing casing

Material	Die-cast Aluminium EN AB - 46100
Colour	black
Processing	Open pore anodizing + Powder Coating

Finishing diffuser

Material	Extra clear glass - Tempered
Colour	transparent
Processing	Silk-screening

Finishing flange

Material	AISI 316 steel
Colour	steel
Processing	Brushing

Cables Electrification+signal

Cable connector	No
-----------------	----



Uplights | 100-264 V AC /170-280 V DC | 1 arrayLED 44.2 W DC - 48.2 W AC | CRI 80 |
Base
83779W15

Single emission uplights for outdoor application. The warm white LED light source with a spot light distribution is composed of 1 arrayed LEDs with CCT of 3000 K and a CRI 80; the source luminous flux is 7045 lm, with a 159.4 lm/W nominal luminous efficacy.

The device body is made of die-cast aluminium en ab - 46100 and features a black finish, processed by means of open pore anodizing + powder coating; the diffuser is made of extra clear glass - tempered with a silk-screening treatment. The ingress protection degree is IP68; the total weight is of 8 kg.

The total absorbed power is 48.2 W. The power supply cable is included and features a 1 m length.

The device features protection class I and can be floor-mounted with an outer casing, code 83096(for concrete or masonry).

Compliant with the EN 60598-1 standard and its specific provisions.

Energy efficiency class

This product contains a light source of energy efficiency class E.

Illuminotechnical Features

Light Output Ratio (LOR)	64 %
Source lumens	7045 lm
Delivered lumens	4513 lm
Consumption	48.2 W
Luminaire efficacy	93 lm/W
Colour temperature	3000 K
Standard Deviation of Colour Matching	2 Step MacAdam
Colour rendering index	80 Ra

Standard Operating Ambient Temperature	-20 / +50°C
Ordinary temperature on the glass	65°C

LED Life / Failure Ratio

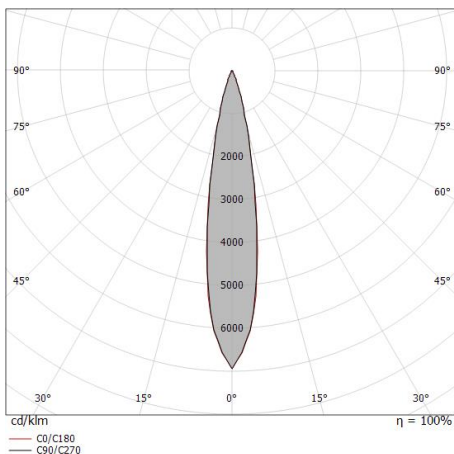
L70 B10 C0 112960h (at Tj 65 Ta 25)

UGR

UGR axial	7.1
UGR transversal	7.2
X=4H Y=8H	S=0.25H
Reflection factor	70/50/20

OPTICAL

C0/C180 optics	19°
Light distribution simmetry	Symmetrical

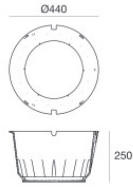


Distance [m]	Cone diameter [m]	illuminance [lx]
0.5	0.16 0.17	E(0°) 125285 E(C90) 9.3° 60922 E(C0) 9.4° 60331
1.0	0.33 0.33	E(0°) 31321 E(C90) 9.3° 15231 E(C0) 9.4° 15083
1.5	0.49 0.50	E(0°) 13921 E(C90) 9.3° 6769 E(C0) 9.4° 6703
2.0	0.66 0.66	E(0°) 7830 E(C90) 9.3° 3808 E(C0) 9.4° 3771
2.5	0.82 0.83	E(0°) 5011 E(C90) 9.3° 2437 E(C0) 9.4° 2413
3.0	0.98 0.99	E(0°) 3480 E(C90) 9.3° 1692 E(C0) 9.4° 1676

Distance [m] Cone diameter [m] illuminance [lx]
 — C0/C180 (Half-peak divergence: 18.8°)
 — C90/C270 (Half-peak divergence: 18.6°)



Suelo_RXFJ | Uplights | Accessories
83779W15



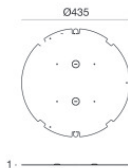
Outer casing

installation position: floor, land; type of installation: masonry L=440mm, H=250mm,
D=440mm.

Material:ABS Plastic, colour:black.

Code

83096



Accessories for outer casings - Caseback for outercasing

Material:Galvanised Iron, colour:grey, processing:Galvanising.

Code

93099



Template

Code

83098