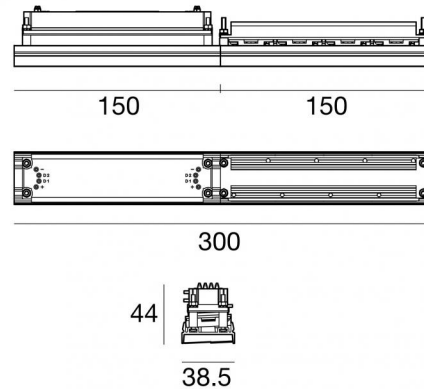


# Modus Cell\_Ww



Systems - Lines | 4 x powerLEDs 12 W DC 24 V  
CRI 92  
**83745N07**



Technical data	
Type	Continuous Line -
Installation environment	Indoor
Light Source	LED
Circuit structure	powerLEDs
Optics	Asymmetric Wallwasher
Light emission direction	downward
Nominal power	12 W DC
Source lumens	1383 lm
Input voltage range	24 V
CCT / Tone	4000 K
Colour rendering index	92 Ra
C.C. / C.V.	CV
Safety class	3
IP	IP40
Glow wire test	850°
Direct mounting on normally flammable surfaces	No
CE	Yes
Driver included	No
C.V. - C.C. Converter	Converter 24V included
Dimmable article	DALI
Directional	No
Tilting	No
Walk-over	No
Drive-over	No
Cable included	Yes
Cable length	0.25 m
Resin potting	No
Type of light emission	Single emission
Net weight	0.282 Kg
Electrostatic discharge protection	No
Surge protection	No

## Finishing casing

Material	Die-cast Aluminium EN AB - 46100
Colour	Black
Processing	Powder coating

## Finishing diffuser

Material	UV Resistant Polycarbonate
Colour	chrome
Processing	Metallization

## Cables Electrification

Cable connector	Easy Plug
-----------------	-----------



Systems - Lines | 4 x powerLEDs 12 W DC 24 V | CRI 92 | Base  
83745N07

Single emission systems or lines for indoor application. The natural white LED light source with a asymmetric wallwasher light distribution is composed of 4 powerled LEDs with CCT of 4000 K and a CRI 92; the source luminous flux is 1383 lm, with a 115.3 lm/W nominal luminous efficacy.

The device body is made of die-cast aluminium en ab - 46100 and features a black finish, processed by means of powder coating; the diffuser is made of uv resistant polycarbonate with a metallization treatment. The ingress protection degree is IP40; the total weight is of 0.282 kg.

The total absorbed power is 12 W. The power supply cable is included and features a 0.25 m length.

The device features protection class III.

Compliant with the EN 60598-1 standard and its specific provisions.

### Energy efficiency class

This product contains a light source of energy efficiency class E.

### Illuminotechnical Features

Light Output Ratio (LOR)	45 %
Source lumens	1383 lm
Delivered lumens	634 lm
Consumption	12 W
Luminaire efficacy	52 lm/W
Colour temperature	4000 K
Standard Deviation of Colour Matching	3 Step MacAdam
Colour rendering index	92 Ra

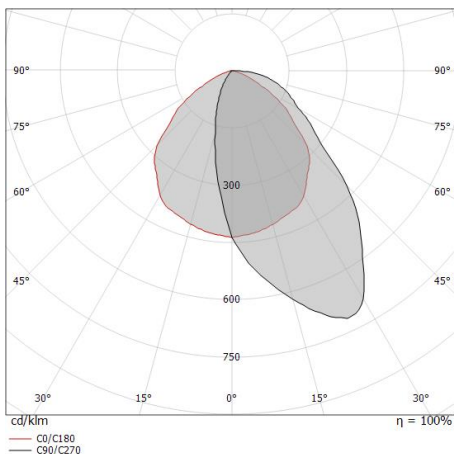
Standard Operating Ambient Temperature -20 / +50°C

### LED Life / Failure Ratio

L70 B10 C0 250000h (at Tj 65 Ta 25 )

### OPTICAL

C0/C180 optics	99°
Light distribution simmetry	Asymmetrical



Distance [m]	Cone diameter [m]	Beam diameter [m]	E(0°)	E(C0)	Beam diameter [m]
0.5	1.17	0.5	1108	153	0.5
1.0	2.33	1.0	277	38	1.0
1.5	3.50	1.5	123	17	1.5
2.0	4.67	2.0	69	10	2.0
2.5	5.83	2.5	44	6	2.5
3.0	7.00	3.0	31	4	3.0

Distance [m] Cone diameter [m] Illuminance [lx]

— C0/C180 (Half-peak divergence: 98.8°)



Systems - Lines | 4 x powerLEDs 12 W DC 24 V | CRI 92  
**83745N07**

## Components

		<b>Modus_M Complete</b>	<b>Code</b> <u>84255 - 84257 - 83758 - 83837</u>
		<b>Modus_MP Slave</b>	<b>Code</b> <u>83786 - 83742 - 83788 - 83787 - 83789 - 83741 - 83740 - 83743</u>
		<b>Modus_MP Master</b>	<b>Code</b> <u>83783 - 83782 - 83737 - 83785 - 83736 - 83738 - 83784</u>
		<b>Modus_M Master</b>	<b>Code</b> <u>83739</u>
		<b>Modus_MP Slave Dynamic-White</b>	<b>Code</b> <u>83820 - 83819 - 83821 - 83822 - 83848 - 83846 - 83847 - 83849</u>
		<b>Modus_MP Master Dynamic-White</b>	<b>Code</b> <u>83818 - 83817 - 83816 - 83815 - 83843 - 83842 - 83845 - 83844</u>
		<b>Modus_MC Master</b>	<b>Code</b> <u>C00166BBEZZ - C00167BBEZZ - C00168BBEZZ - C00169BBEZZ</u>
		<b>Modus_MS Slave</b>	<b>Code</b> <u>C00069BBEZZ - C00069BUEZZ - C00070BBEZZ - C00070BUEZZ - C00071BBEZZ - C00071BUEZZ - C00072BBEZZ - C00072BUEZZ</u>



Systems - Lines | 4 x powerLEDs 12 W DC 24 V | CRI 92  
**83745N07**

## Components



Modus\_MC

### Code

C00170BBEZZ - C00171BBEZZ -  
C00172BBEZZ - C00173BBEZZ



Modus\_MS Master

### Code

C00065BBEZZ - C00065BUEZZ -  
C00066BBEZZ - C00066BUEZZ -  
C00067BBEZZ - C00067BUEZZ -  
C00068BBEZZ - C00068BUEZZ