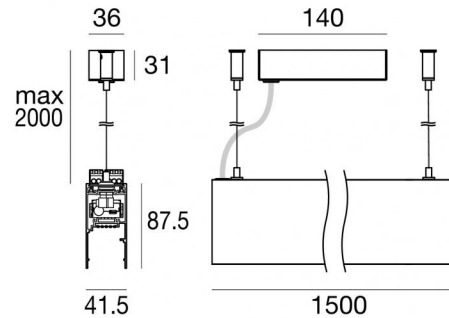


Modus_MP Master



Systems - Lines | 198-264 V AC /176-280 V DC
 96 topLED 29 W DC - 31 W AC | Modular Master | CRI 92
83737N00



Technical data

Type	Continuous Line -
Installation position	Ceiling
Installation environment	Indoor
Light Source	LED
Circuit structure	topLED
Optics	Diffused
Light emission direction	upward
Nominal power	29 W DC
Total Power	31 W
Source lumens	4234 lm
Nominal input voltage	220 - 240 V AC
Input voltage range	198 - 264 V AC
Frequency	50 - 60 Hz
CCT / Tone	4000 K
Colour rendering index	92 Ra
C.C. / C.V.	AC
Safety class	1
IP	IP40
Glow wire test	850°
Direct mounting on normally flammable surfaces	Yes
CE	Yes
Driver included	Driver
Dimmable article	DALI
Directional	No
Tilting	No
Walk-over	No
Drive-over	No
Cable included	Yes
Cable length	2 m
Resin potting	No
Type of light emission	Single emission
Net weight	3.2 Kg
Modularity	Modular Master
Electrostatic discharge protection	Yes
Surge protection	1 KV

Finishing casing

Material	Aluminium 6060
Colour	Black
Processing	Powder coating

Finishing base

Material	Aluminium 6060
Colour	Black
Processing	Powder coating



Systems - Lines | 198-264 V AC /176-280 V DC | 96 topLED 29 W DC - 31 W AC | Modular
 Master | CRI 92 | Base
83737N00

Single emission systems or lines for indoor application. The natural white LED light source with a diffused light distribution is composed of 96 topped LEDs with CCT of 4000 K and a CRI 92; the source luminous flux is 4234 lm, with a 146.0 lm/W nominal luminous efficacy.

The device body is made of aluminium 6060 and features a black finish, processed by means of powder coating. The ingress protection degree is IP40; the total weight is of 3.2 kg.

The total absorbed power is 31 W. The power supply cable is included and features a 2 m length.

The device features protection class I and can be ceiling-mounted.

Compliant with the EN 60598-1 standard and its specific provisions.

Energy efficiency class

This product contains 4 light sources of energy efficiency class E.

Illuminotechnical Features

Light Output Ratio (LOR)	80 %
Source lumens	4234 lm
Delivered lumens	3390 lm
Consumption	31 W
Luminaire efficacy	109 lm/W
Colour temperature	4000 K
Standard Deviation of Colour Matching	3 Step MacAdam
Colour rendering index	92 Ra
Standard Operating Ambient Temperature	-20 / +50°C
Ordinary temperature on the glass	40°C

LED Life / Failure Ratio

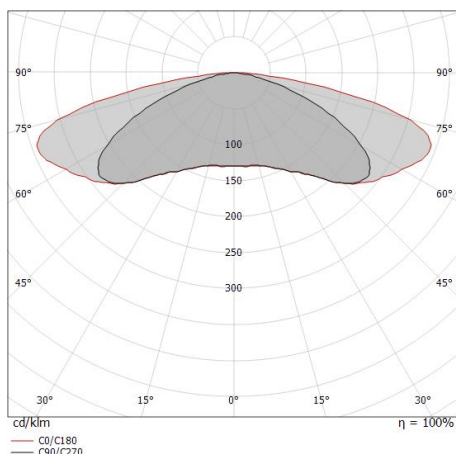
L70 B10 C0 145770h (at Tj 65 Ta 25)

UGR

UGR axial	28.2
UGR transversal	33.7
X=4H Y=8H	S=0.25H
Reflection factor	70/50/20

OPTICAL

C90/C270 optics	139°
C0/C180 optics	160°
Light distribution simmetry	Symmetrical 2 assis



Distance [m]	Cone diameter [m]	Half-peak intensity [cd/km]	Half-peak illuminance [lx]
0.5	2.65 5.73	1757 71 10	439 18 3
1.0	5.29 11.46	195 8 1	110 4 1
1.5	7.94 17.19	70 3 0	49 2 0
2.0	10.59 22.92		
2.5	13.23 28.65		
3.0	15.88 34.38		

Distance [m] Cone diameter [m] Illuminance [lx]

— C0/C180 (Half-peak divergence: 160.2°)
 — C90/C270 (Half-peak divergence: 138.6°)

Modus_MP Master



Systems - Lines | 198-264 V AC /176-280 V DC | 96 topLED 29 W DC - 31 W AC | Modular Master | CRI 92
83737N00

Components

		<p>Modus Projectors - Sistemi 1 x powerLED 7 W DC 24 V</p>	<p>Code <u>83755</u></p>
		<p>Modus Projectors - Sistemi - Elementi lineari arrayLED 13 W DC 24 V</p>	<p>Code <u>83754</u></p>
		<p>Modus Microprismatic - Sistemi - Elementi lineari topLED 19 W DC 24 V Modular</p>	<p>Code <u>83746</u></p>
		<p>Modus Microprismatic - 24 W DC</p>	<p>Code <u>83747</u></p>
		<p>Modus Microprismatic - Sistemi - Elementi lineari topLED 30 W DC 24 V Modular</p>	<p>Code <u>83748</u></p>
		<p>Modus Cell - 12 W DC</p>	<p>Code <u>83744</u></p>
		<p>Modus Cell_Ww - 12 W DC</p>	<p>Code <u>83745</u></p>
		<p>Modus Optus_EX - Sistemi - Elementi lineari 3 x powerLEDs 5 W DC 24 V</p>	<p>Code <u>83756</u></p>

Modus_MP Master



Systems - Lines | 198-264 V AC /176-280 V DC | 96 topLED 29 W DC - 31 W AC | Modular Master | CRI 92
83737N00

Components



		<p>Closing cap - 2 x Material:Die-cast Aluminium EN AB - 46100, colour:Black, processing:Powder coating.</p>	<p>Code <u>83109</u></p>
		<p>Junction - Angular module Type linear. Material:Aluminium 6060, colour:Black, processing:Powder coating.</p>	<p>Code <u>83757</u></p>
		<p>Junction - Angular module Type linear. Material:Aluminium 6060, processing:Powder coating.</p>	<p>Code <u>83222</u></p>
		<p>Junction - T shaped junction element Type linear. Material:Aluminium 6060, colour:Black, processing:Powder coating.</p>	<p>Code <u>C-K400010</u></p>
		<p>Junction - X shaped junction element Type linear. Material:Aluminium 6060, colour:Black, processing:Powder coating.</p>	<p>Code <u>C-K400013</u></p>
		<p>Junction - T shaped junction element Type linear. Material:Aluminium 6060, processing:Powder coating.</p>	<p>Code <u>C-K400022</u></p>
		<p>Junction - T shaped junction element Type linear. Material:Aluminium 6060, processing:Powder coating.</p>	<p>Code <u>C-K400023</u></p>
		<p>Junction - X shaped junction element Type linear. Material:Aluminium 6060, processing:Powder coating.</p>	<p>Code <u>C-K400024</u></p>



		<p>Junction - X shaped junction element Type linear. Material:Aluminium 6060, processing:Powder coating.</p>	<p>Code <u>C-K400025</u></p>
		<p>Cable cover Material:Aluminium 6060, colour:Black, processing:Powder coating.</p>	<p>Code <u>83749</u></p>
		<p>Cable cover Material:Aluminium 6060, colour:Black, processing:Powder coating.</p>	<p>Code <u>83753</u></p>
		<p>Cable cover Material:Aluminium 6060, colour:Black, processing:Powder coating.</p>	<p>Code <u>83750</u></p>
		<p>Cable cover Material:Aluminium 6060, colour:Black, processing:Powder coating.</p>	<p>Code <u>83751</u></p>
		<p>Cable cover Material:Aluminium 6060, colour:Black, processing:Powder coating.</p>	<p>Code <u>83752</u></p>