

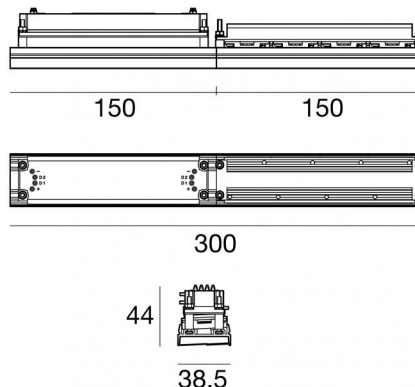
# Modus Cell\_Ww



Systems - Lines | 4 x powerLEDs 12 W DC 24 V

CRI 92

83721W07



## Technical data

Type	Continuous Line -
Installation environment	Indoor
Light Source	LED
Circuit structure	powerLEDs
Optics	Asymmetric Wallwasher
Light emission direction	downward
Nominal power	12 W DC
Source lumens	1281 lm
Input voltage range	24 V
CCT / Tone	3500 K
Colour rendering index	92 Ra
C.C. / C.V.	CV
Safety class	3
IP	IP40
Glow wire test	850°
Direct mounting on normally flammable surfaces	No
CE	Yes
Driver included	No
C.V. - C.C. Converter	Converter 24V included
Dimmable article	DALI
Directional	No
Tilting	No
Walk-over	No
Drive-over	No
Cable included	Yes
Cable length	0.25 m
Resin potting	No
Type of light emission	Single emission
Net weight	0.282 Kg
Electrostatic discharge protection	No
Surge protection	No

## Finishing casing

Material	Die-cast Aluminium EN AB - 46100
Colour	White
Processing	Powder coating

## Finishing diffuser

Material	UV Resistant Polycarbonate
Colour	chrome
Processing	Metallization

## Cables Electrification

Cable connector	Easy Plug
-----------------	-----------



Systems - Lines | 4 x powerLEDs 12 W DC 24 V | CRI 92 | Base  
83721W07

Single emission systems or lines for indoor application. The warm white LED light source with a asymmetric wallwasher light distribution is composed of 4 powerled LEDs with CCT of 3500 K and a CRI 92; the source luminous flux is 1281 lm, with a 106.8 lm/W nominal luminous efficacy.

The device body is made of die-cast aluminium en ab - 46100 and features a white finish, processed by means of powder coating; the diffuser is made of uv resistant polycarbonate with a metallization treatment. The ingress protection degree is IP40; the total weight is of 0.282 kg.

The total absorbed power is 12 W. The power supply cable is included and features a 0.25 m length.

The device features protection class III.

Compliant with the EN 60598-1 standard and its specific provisions.

### Energy efficiency class

This product contains a light source of energy efficiency class F.

### Illuminotechnical Features

Light Output Ratio (LOR)	45 %
Source lumens	1281 lm
Delivered lumens	587 lm
Consumption	12 W
Luminaire efficacy	48 lm/W
Colour temperature	3500 K
Standard Deviation of Colour Matching	3 Step MacAdam
Colour rendering index	92 Ra

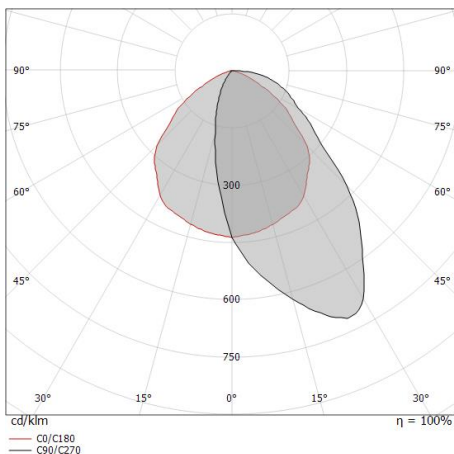
Standard Operating Ambient Temperature -20 / +50°C

### LED Life / Failure Ratio

L70 B10 C0 250000h (at Tj 65 Ta 25 )

### OPTICAL

C0/C180 optics	99°
Light distribution simmetry	Asymmetrical



Distance [m]	Cone diameter [m]	illuminance [lx]
0.5	1.17	E(0°) 1026 E(C0) 142
1.0	2.33	E(0°) 256 E(C0) 35
1.5	3.50	E(0°) 114 E(C0) 16
2.0	4.67	E(0°) 64 E(C0) 9
2.5	5.83	E(0°) 41 E(C0) 6
3.0	7.00	E(0°) 28 E(C0) 4

Distance [m] Cone diameter [m] illuminance [lx]

— C0/C180 (Half-peak divergence: 98.8°)

# Modus Cell\_Ww



Systems - Lines | 4 x powerLEDs 12 W DC 24 V | CRI 92  
**83721W07**

## Components

		<b>Modus_MP Slave</b>	<p style="text-align: right;"><b>Code</b></p> 83786 - 83716 - 83718 - 83788 - 83787 - 83789 - 83717 - 83719
		<b>Modus_MP Master</b>	<p style="text-align: right;"><b>Code</b></p> 83783 - 83782 - 83785 - 83714 - 83712 - 83715 - 83784 - 83713
		<b>Modus_MP Slave Dynamic-White</b>	<p style="text-align: right;"><b>Code</b></p> 83797 - 83796 - 83798 - 83795 - 83847 - 83846 - 83849 - 83848
		<b>Modus_MP Master Dynamic-White</b>	<p style="text-align: right;"><b>Code</b></p> 83794 - 83793 - 83792 - 83791 - 83842 - 83845 - 83843 - 83844
		<b>Modus_MC Master</b>	<p style="text-align: right;"><b>Code</b></p> C00166WHEZZ - C00167WHEZZ - C00168WHEZZ - C00169WHEZZ
		<b>Modus_MS Slave</b>	<p style="text-align: right;"><b>Code</b></p> C00069BUEZZ - C00069WHEZZ - C00070BUEZZ - C00070WHEZZ - C00071BUEZZ - C00071WHEZZ - C00072BUEZZ - C00072WHEZZ
		<b>Modus_MC</b>	<p style="text-align: right;"><b>Code</b></p> C00170WHEZZ - C00171WHEZZ - C00172WHEZZ - C00173WHEZZ
		<b>Modus_MS Master</b>	<p style="text-align: right;"><b>Code</b></p> C00065BUEZZ - C00065WHEZZ - C00066BUEZZ - C00066WHEZZ - C00067BUEZZ - C00067WHEZZ - C00068BUEZZ - C00068WHEZZ



Systems - Lines | 4 x powerLEDs 12 W DC 24 V | CRI 92  
**83721W07**

## Components

---