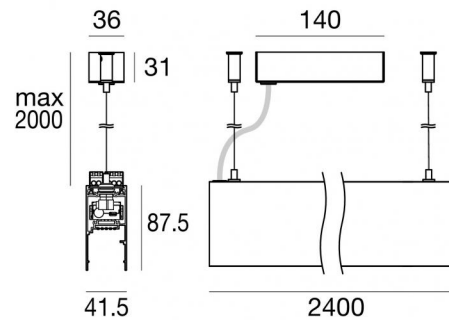
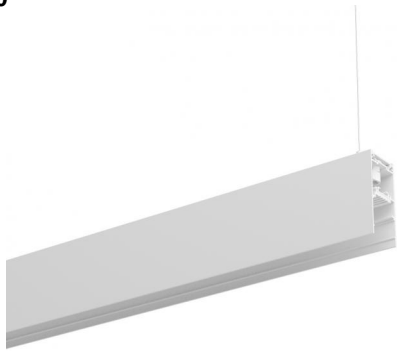


Modus_MP Master



Systems - Lines | 198-264 V AC /176-264 V DC
 156 topLED 47 W DC - 51 W AC | Modular Master | CRI 92
83714W00



Technical data

Type	Continuous Line -
Installation position	Ceiling
Installation environment	Indoor
Light Source	LED
Circuit structure	topLED
Optics	Diffused
Light emission direction	upward
Nominal power	47 W DC
Total Power	51 W
Source lumens	6544 lm
Nominal input voltage	220 - 240 V AC
Input voltage range	198 - 264 V AC
Frequency	50 - 60 Hz
CCT / Tone	3500 K
Colour rendering index	92 Ra
C.C. / C.V.	AC
Safety class	1
IP	IP40
Glow wire test	850°
Direct mounting on normally flammable surfaces	Yes
CE	Yes
Driver included	Driver
Dimmable article	DALI
Directional	No
Tilting	No
Walk-over	No
Drive-over	No
Cable included	Yes
Cable length	2 m
Resin potting	No
Type of light emission	Single emission
Net weight	4.7 Kg
Modularity	Modular Master
Electrostatic discharge protection	Yes
Surge protection	1 KV

Finishing casing

Material	Aluminium 6060
Colour	White
Processing	Powder coating

Finishing base

Material	Aluminium 6060
Colour	White
Processing	Powder coating

Cables Pendant Luminaires

Max cable length	2000 mm
------------------	---------

The driver contained in the device complies with IEC 61347-2-13 annex J, and can therefore be powered by centralized power systems.



Systems - Lines | 198-264 V AC /176-264 V DC | 156 topLED 47 W DC - 51 W AC | Modular Master | CRI 92 | Base
83714W00

Single emission systems or lines for indoor application. The warm white LED light source with a diffused light distribution is composed of 156 topped LEDs with CCT of 3500 K and a CRI 92; the source luminous flux is 6544 lm, with a 139.2 lm/W nominal luminous efficacy.

The device body is made of aluminium 6060 and features a white finish, processed by means of powder coating. The ingress protection degree is IP40; the total weight is of 4.7 kg.

The total absorbed power is 51 W. The power supply cable is included and features a 2 m length.

The device features protection class I and can be ceiling-mounted.

Compliant with the EN 60598-1 standard and its specific provisions.

Energy efficiency class

This product contains 5 light sources of energy efficiency class E.

Illuminotechnical Features

Light Output Ratio (LOR)	80 %
Source lumens	6544 lm
Delivered lumens	5260 lm
Consumption	51 W
Luminaire efficacy	103 lm/W
Colour temperature	3500 K
Standard Deviation of Colour Matching	3 Step MacAdam
Colour rendering index	92 Ra
Standard Operating Ambient Temperature	-20 / +50°C
Ordinary temperature on the glass	40°C

LED Life / Failure Ratio

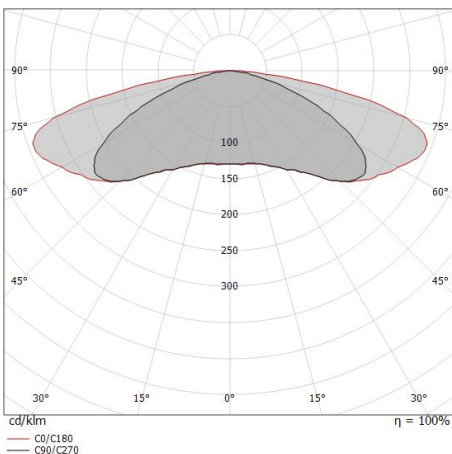
L70 B10 C0 145770h (at Tj 65 Ta 25)

UGR

UGR axial	28.1
UGR transversal	33.6
X=4H Y=8H	S=0.25H
Reflection factor	70/50/20

OPTICAL

C90/C270 optics	139°
C0/C180 optics	160°
Light distribution simmetry	Symmetrical 2 assis



Distance [m]	Cone diameter [m]	illuminance [lx]
0.5	2.65 5.73	E(0°) 2726 E(C90) 110 E(C0) 16
1.0	5.29 11.46	E(0°) 682 E(C90) 28 E(C0) 4
1.5	7.94 17.19	E(0°) 303 E(C90) 12 E(C0) 2
2.0	10.59 22.92	E(0°) 170 E(C90) 7 E(C0) 1
2.5	13.23 28.65	E(0°) 109 E(C90) 4 E(C0) 1
3.0	15.88 34.38	E(0°) 76 E(C90) 3 E(C0) 0

— C0/C180 (Half-peak divergence: 160.2°)
 — C90/C270 (Half-peak divergence: 138.6°)

Modus_MP Master



Systems - Lines | 198-264 V AC /176-264 V DC | 156 topLED 47 W DC - 51 W AC | Modular Master | CRI 92
83714W00

Components

		<p>Modus Projectors</p>	<p>Code <u>83731</u></p>
		<p>Modus Projectors - Sistemi - Elementi lineari arrayLED 13 W DC 24 V</p>	<p>Code <u>83730</u></p>
		<p>Modus Microprismatic - Sistemi - Elementi lineari topLED 19 W DC 24 V Modular</p>	<p>Code <u>83722</u></p>
		<p>Modus Microprismatic</p>	<p>Code <u>83723</u></p>
		<p>Modus Microprismatic - Sistemi - Elementi lineari topLED 30 W DC 24 V Modular</p>	<p>Code <u>83724</u></p>
		<p>Modus Cell</p>	<p>Code <u>83720</u></p>
		<p>Modus Cell_Ww - Sistemi - Elementi lineari 4 x powerLEDs 12 W DC 24 V</p>	<p>Code <u>83721</u></p>
		<p>Modus Optus_EX</p>	<p>Code <u>83732</u></p>



Systems - Lines | 198-264 V AC /176-264 V DC | 156 topLED 47 W DC - 51 W AC | Modular Master | CRI 92
83714W00

Components



		<p>Closing cap - 2 x Material:Die-cast Aluminium EN AB - 46100, colour:White, processing:Powder coating.</p>	<p>Code <u>83108</u></p>
		<p>Junction - Angular module Type linear. Material:Aluminium 6060, colour:White, processing:Powder coating.</p>	<p>Code <u>83733</u></p>
		<p>Junction - Angular module Type linear. Material:Aluminium 6060, processing:Powder coating.</p>	<p>Code <u>83221</u></p>
		<p>Junction - T shaped junction element Type linear. Material:Aluminium 6060, colour:White, processing:Powder coating.</p>	<p>Code <u>C-K400011</u></p>
		<p>Junction - X shaped junction element Type linear. Material:Aluminium 6060, colour:White, processing:Powder coating.</p>	<p>Code <u>C-K400014</u></p>
		<p>Junction - T shaped junction element Type linear. Material:Aluminium 6060, processing:Powder coating.</p>	<p>Code <u>C-K400022</u></p>
		<p>Junction - T shaped junction element Type linear. Material:Aluminium 6060, processing:Powder coating.</p>	<p>Code <u>C-K400023</u></p>
		<p>Junction - X shaped junction element Type linear. Material:Aluminium 6060, processing:Powder coating.</p>	<p>Code <u>C-K400024</u></p>



Modus_MP Master | Lines | Accessories
83714W00

		<p>Junction - X shaped junction element Type linear. Material:Aluminium 6060, processing:Powder coating.</p>	<p>Code <u>C-K400025</u></p>
		<p>Cable cover Material:Aluminium 6060, colour:White, processing:Powder coating.</p>	<p>Code <u>83725</u></p>
		<p>Cable cover Material:Aluminium 6060, colour:White, processing:Powder coating.</p>	<p>Code <u>83729</u></p>
		<p>Cable cover Material:Aluminium 6060, colour:White, processing:Powder coating.</p>	<p>Code <u>83726</u></p>
		<p>Cable cover Material:Aluminium 6060, colour:White, processing:Powder coating.</p>	<p>Code <u>83727</u></p>
		<p>Cable cover Material:Aluminium 6060, colour:White, processing:Powder coating.</p>	<p>Code <u>83728</u></p>