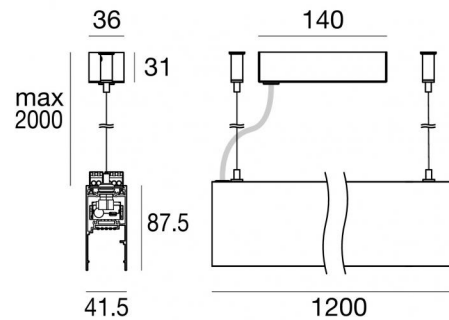
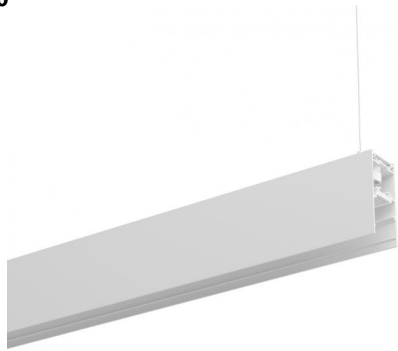


# Modus\_MP Master



Systems - Lines | 198-264 V AC /176-280 V DC  
72 topLED 21.8 W DC - 24 W AC | Modular Master | CRI 92  
**83712W00**



Technical data	
Type	Continuous Line -
Installation position	Ceiling
Installation environment	Indoor
Light Source	LED
Circuit structure	topLED
Optics	Diffused
Light emission direction	upward
Nominal power	21.8 W DC
Total Power	24 W
Source lumens	3020 lm
Nominal input voltage	220 - 240 V AC
Input voltage range	198 - 264 V AC
Frequency	50 - 60 Hz
CCT / Tone	3500 K
Colour rendering index	92 Ra
C.C. / C.V.	AC
Safety class	1
IP	IP40
Glow wire test	850°
Direct mounting on normally flammable surfaces	Yes
CE	Yes
Driver included	Driver
Dimmable article	DALI
Directional	No
Tilting	No
Walk-over	No
Drive-over	No
Cable included	Yes
Cable length	2 m
Resin potting	No
Type of light emission	Single emission
Net weight	2.8 Kg
Modularity	Modular Master
Electrostatic discharge protection	Yes
Surge protection	1 KV

## Finishing casing

Material	Aluminium 6060
Colour	White
Processing	Powder coating

## Finishing base

Material	Aluminium 6060
Colour	White
Processing	Powder coating

## Cables Pendant Luminaires

Max cable length	2000 mm
------------------	---------

The driver contained in the device complies with IEC 61347-2-13 annex J, and can therefore be powered by centralized power systems.



Systems - Lines | 198-264 V AC /176-280 V DC | 72 topLED 21.8 W DC - 24 W AC |  
 Modular Master | CRI 92 | Base  
**83712W00**

Single emission systems or lines for indoor application. The warm white LED light source with a diffused light distribution is composed of 72 topped LEDs with CCT of 3500 K and a CRI 92; the source luminous flux is 3020 lm, with a 138.5 lm/W nominal luminous efficacy.

The device body is made of aluminium 6060 and features a white finish, processed by means of powder coating. The ingress protection degree is IP40; the total weight is of 2.8 kg.

The total absorbed power is 24 W. The power supply cable is included and features a 2 m length.

The device features protection class I and can be ceiling-mounted.

Compliant with the EN 60598-1 standard and its specific provisions.

### Energy efficiency class

This product contains 2 light sources of energy efficiency class E.

### Illuminotechnical Features

Light Output Ratio (LOR)	80 %
Source lumens	3020 lm
Delivered lumens	2422 lm
Consumption	24 W
Luminaire efficacy	100 lm/W
Colour temperature	3500 K
Standard Deviation of Colour Matching	3 Step MacAdam
Colour rendering index	92 Ra
Standard Operating Ambient Temperature	-20 / +50°C
Ordinary temperature on the glass	40°C

### LED Life / Failure Ratio

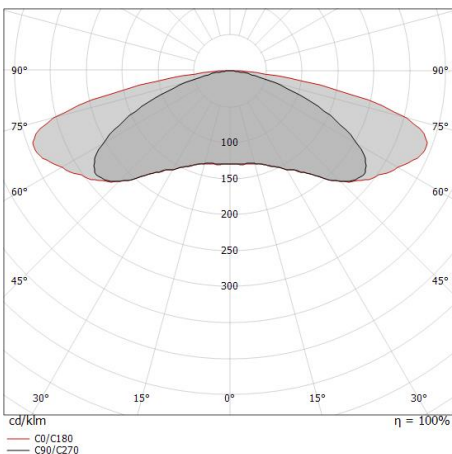
L70 B10 C0 145770h (at Tj 65 Ta 25 )

### UGR

UGR axial	27.8
UGR transversal	33.3
X=4H   Y=8H	S=0.25H
Reflection factor	70/50/20

### OPTICAL

C90/C270 optics	139°
C0/C180 optics	160°
Light distribution symmetry	Symmetrical 2 axis



Distance [m]	Cone diameter [m]	illuminance [lx]
0.5	2.65 5.73	E(0°) 1255 E(C90) 51 E(C0) 7
1.0	5.29 11.46	E(0°) 314 E(C90) 13 E(C0) 2
1.5	7.94 17.19	E(0°) 139 E(C90) 6 E(C0) 1
2.0	10.59 22.92	E(0°) 78 E(C90) 3 E(C0) 0
2.5	13.23 28.65	E(0°) 50 E(C90) 2 E(C0) 0
3.0	15.88 34.38	E(0°) 35 E(C90) 1 E(C0) 0

— C0/C180 (Half-peak divergence: 160.2°)  
 — C90/C270 (Half-peak divergence: 138.6°)

# Modus\_MP Master



Systems - Lines | 198-264 V AC /176-280 V DC | 72 topLED 21.8 W DC - 24 W AC | Modular Master | CRI 92  
**83712W00**

## Components

		<p>Modus Projectors</p>	<p><b>Code</b>  <u>83731</u></p>
		<p>Modus Projectors - Sistemi - Elementi lineari   arrayLED 13 W  DC 24 V</p>	<p><b>Code</b>  <u>83730</u></p>
		<p>Modus Microprismatic - Sistemi - Elementi lineari   topLED 19  W DC 24 V   Modular</p>	<p><b>Code</b>  <u>83722</u></p>
		<p>Modus Microprismatic</p>	<p><b>Code</b>  <u>83723</u></p>
		<p>Modus Microprismatic - Sistemi - Elementi lineari   topLED 30  W DC 24 V   Modular</p>	<p><b>Code</b>  <u>83724</u></p>
		<p>Modus Cell</p>	<p><b>Code</b>  <u>83720</u></p>
		<p>Modus Cell_Ww - Sistemi - Elementi lineari   4 x powerLEDs 12  W DC 24 V</p>	<p><b>Code</b>  <u>83721</u></p>
		<p>Modus Optus_EX</p>	<p><b>Code</b>  <u>83732</u></p>



Systems - Lines | 198-264 V AC /176-280 V DC | 72 topLED 21.8 W DC - 24 W AC | Modular Master | CRI 92  
**83712W00**

## Components

---



		<p>Closing cap - 2 x Material:Die-cast Aluminium EN AB - 46100, colour:White, processing:Powder coating.</p>	<p><b>Code</b> <u>83108</u></p>
		<p>Junction - Angular module Type linear. Material:Aluminium 6060, colour:White, processing:Powder coating.</p>	<p><b>Code</b> <u>83733</u></p>
		<p>Junction - Angular module Type linear. Material:Aluminium 6060, processing:Powder coating.</p>	<p><b>Code</b> <u>83221</u></p>
		<p>Junction - T shaped junction element Type linear. Material:Aluminium 6060, colour:White, processing:Powder coating.</p>	<p><b>Code</b> <u>C-K400011</u></p>
		<p>Junction - X shaped junction element Type linear. Material:Aluminium 6060, colour:White, processing:Powder coating.</p>	<p><b>Code</b> <u>C-K400014</u></p>
		<p>Junction - T shaped junction element Type linear. Material:Aluminium 6060, processing:Powder coating.</p>	<p><b>Code</b> <u>C-K400022</u></p>
		<p>Junction - T shaped junction element Type linear. Material:Aluminium 6060, processing:Powder coating.</p>	<p><b>Code</b> <u>C-K400023</u></p>
		<p>Junction - X shaped junction element Type linear. Material:Aluminium 6060, processing:Powder coating.</p>	<p><b>Code</b> <u>C-K400024</u></p>



Modus\_MP Master | Lines | Accessories  
**83712W00**

		<p>Junction - X shaped junction element                  Type linear.                  Material:Aluminium 6060, processing:Powder coating.</p>	<p><b>Code</b>  <u>C-K400025</u></p>
		<p>Cable cover                  Material:Aluminium 6060, colour:White, processing:Powder coating.</p>	<p><b>Code</b>  <u>83725</u></p>
		<p>Cable cover                  Material:Aluminium 6060, colour:White, processing:Powder coating.</p>	<p><b>Code</b>  <u>83729</u></p>
		<p>Cable cover                  Material:Aluminium 6060, colour:White, processing:Powder coating.</p>	<p><b>Code</b>  <u>83726</u></p>
		<p>Cable cover                  Material:Aluminium 6060, colour:White, processing:Powder coating.</p>	<p><b>Code</b>  <u>83727</u></p>
		<p>Cable cover                  Material:Aluminium 6060, colour:White, processing:Powder coating.</p>	<p><b>Code</b>  <u>83728</u></p>