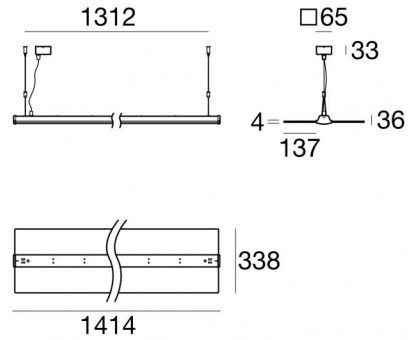


# Mini\_Albatros



Systems - Pendant Luminaires | 85-277 V  
450 topLED 46 W DC - 55 W AC | CRI 90  
**82836N00**



Technical data	
Type	- - Surface
Installation position	Ceiling
Installation environment	Indoor
Light Source	LED
Circuit structure	topLED
Optics	Double Diffused
Light emission direction	downward and upward
Nominal power	46 W DC
Total Power	55 W
Source lumens	5715 lm
Nominal input voltage	220 - 240 V AC
Input voltage range	85 - 277 V AC
Frequency	50 - 60 Hz
CCT / Tone	4000 K
Colour rendering index	90 Ra
C.C. / C.V.	AC
Safety class	1
IP	IP40
IK	IK08
Glow wire test	850°
Direct mounting on normally flammable surfaces	Yes
CE	Yes
Driver included	Driver
Dimmable article	No
Directional	No
Tilting	No
Walk-over	No
Drive-over	No
Cable included	Yes
Cable length	2 m
Resin potting	No
Type of light emission	Double emission
Net weight	4.8 Kg
Electrostatic discharge protection	Yes
Surge protection	Yes

Finishing casing	
Material	Aluminium
Colour	White
Processing	Coating
Finishing diffuser	
Material	PMMA
Colour	transparent
Cables Pendant Luminaires	
Max cable length	1200 mm



Systems - Pendant Luminaires | 85-277 V | 450 topLED 46 W DC - 55 W AC | CRI 90 | Base  
**82836N00**

Double emission systems or pendant luminaires for indoor application. The natural white LED light source with a double diffused light distribution is composed of 450 topLED LEDs with CCT of 4000 K and a CRI 90; the source luminous flux is 5715 lm, with a 124.2 lm/W nominal luminous efficacy.

The device body is made of aluminium and features a white finish, processed by means of coating; the diffuser is made of pmma. The ingress protection degree is IP40; the total weight is of 4.8 kg.

The total absorbed power is 55 W. The power supply cable is included and features a 2 m length.

The device features protection class I and can be ceiling-mounted.

Compliant with the EN 60598-1 standard and its specific provisions.

### Energy efficiency class

This product contains 10 light sources of energy efficiency class E.

### Illuminotechnical Features

Light Output Ratio (LOR)	91 %
Source lumens	5715 lm
Delivered lumens	5228 lm
Consumption	55 W
Luminaire efficacy	95 lm/W
Colour temperature	4000 K
Standard Deviation of Colour Matching	3 Step MacAdam
Colour rendering index	90 Ra

Standard Operating Ambient Temperature	-20 / +50°C
Ordinary temperature on the glass	35°C

### LED Life / Failure Ratio

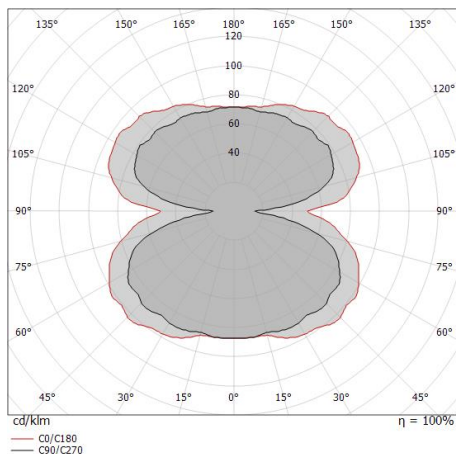
L70 B10 C0 145770h (at Tj 65 Ta 25 )

### UGR

UGR axial	18.2
UGR transversal	20.3
X=4H   Y=8H	S=0.25H
Reflection factor	70/50/20

### OPTICAL

C90/C270 optics	158°
C0/C180 optics	178°
Light distribution symmetry	Symmetrical 2 assis

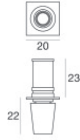


Distance [m]	Cone diameter [m]	illuminance [lx]
0.5	5.14 63.66	E(0°) 1830 E(C90) 79.0° 7 E(C0) 89.1° 0
1.0	10.29 127.31	E(0°) 457 E(C90) 79.0° 2 E(C0) 89.1° 0
1.5	15.43 190.97	E(0°) 203 E(C90) 79.0° 1 E(C0) 89.1° 0
2.0	20.58 254.63	E(0°) 114 E(C90) 79.0° 0 E(C0) 89.1° 0
2.5	25.72 318.28	E(0°) 73 E(C90) 79.0° 0 E(C0) 89.1° 0
3.0	30.87 381.94	E(0°) 51 E(C90) 79.0° 0 E(C0) 89.1° 0

— C0/C180 (Half-peak divergence: 178.2°)  
 - - C90/C270 (Half-peak divergence: 158.0°)



Mini\_Albatros | Pendant Luminaires | Accessories  
**82836N00**



Fixing for false ceilings - White

Material:Brass, colour:White, processing:Coating.

**Code**

**98428**