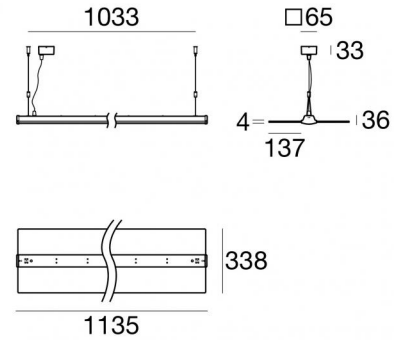
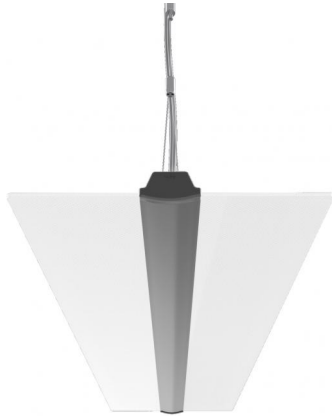


# Mini\_Albatros



Systems - Pendant Luminaires | 85-277 V  
360 topLED 37 W DC - 44 W AC | CRI 90  
**82835W00**



Technical data	
Type	- - Surface
Installation position	Ceiling
Installation environment	Indoor
Light Source	LED
Circuit structure	topLED
Optics	Double Diffused
Light emission direction	downward and upward
Nominal power	37 W DC
Total Power	44 W
Source lumens	4356 lm
Nominal input voltage	220 - 240 V AC
Input voltage range	85 - 277 V AC
Frequency	50 - 60 Hz
CCT / Tone	3500 K
Colour rendering index	90 Ra
C.C. / C.V.	AC
Safety class	1
IP	IP40
IK	IK08
Glow wire test	850°
Direct mounting on normally flammable surfaces	Yes
CE	Yes
Driver included	Driver
Dimmable article	No
Directional	No
Tilting	No
Walk-over	No
Drive-over	No
Cable included	Yes
Cable length	2 m
Resin potting	No
Type of light emission	Double emission
Net weight	4 Kg
Electrostatic discharge protection	Yes
Surge protection	Yes

## Finishing casing

Material	Aluminium
Colour	Grey
Processing	Coating

## Finishing diffuser

Material	PMMA
Colour	transparent

## Cables Pendant Luminaires

Max cable length	1200 mm
------------------	---------



Systems - Pendant Luminaires | 85-277 V | 360 topLED 37 W DC - 44 W AC | CRI 90 | Base 82835W00

Double emission systems or pendant luminaires for indoor application. The warm white LED light source with a double diffused light distribution is composed of 360 topLEDs with CCT of 3500 K and a CRI 90; the source luminous flux is 4356 lm, with a 117.7 lm/W nominal luminous efficacy.

The device body is made of aluminium and features a grey finish, processed by means of coating; the diffuser is made of pmma. The ingress protection degree is IP40; the total weight is of 4 kg.

The total absorbed power is 44 W. The power supply cable is included and features a 2 m length.

The device features protection class I and can be ceiling-mounted.

Compliant with the EN 60598-1 standard and its specific provisions.

### Energy efficiency class

This product contains 8 light sources of energy efficiency class E.

### Illuminotechnical Features

Light Output Ratio (LOR)	91 %
Source lumens	4356 lm
Delivered lumens	3976 lm
Consumption	44 W
Luminaire efficacy	90 lm/W
Colour temperature	3500 K
Standard Deviation of Colour Matching	3 Step MacAdam
Colour rendering index	90 Ra
Standard Operating Ambient Temperature	-20 / +50°C
Ordinary temperature on the glass	35°C

### LED Life / Failure Ratio

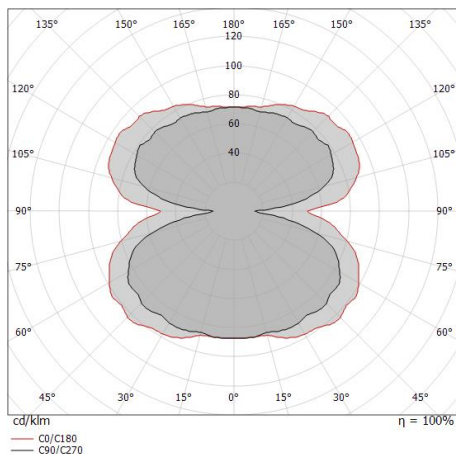
L70 B10 C0 145770h (at Tj 65 Ta 25 )

### UGR

UGR axial	18
UGR transversal	20.1
X=4H   Y=8H	S=0.25H
Reflection factor	70/50/20

### OPTICAL

C90/C270 optics	158°
C0/C180 optics	178°
Light distribution symmetry	Symmetrical 2 assis



Distance [m]	Cone diameter [m]	illuminance [lx]
0.5	5.14 63.66	E(0°) 1392 E(C90) 5 E(C0) 0
1.0	10.29 127.31	E(0°) 348 E(C90) 1 E(C0) 0
1.5	15.43 190.97	E(0°) 155 E(C90) 1 E(C0) 0
2.0	20.58 254.63	E(0°) 87 E(C90) 0 E(C0) 0
2.5	25.72 318.28	E(0°) 56 E(C90) 0 E(C0) 0
3.0	30.87 381.94	E(0°) 39 E(C90) 0 E(C0) 0

— C0/C180 (Half-peak divergence: 178.2°)  
— C90/C270 (Half-peak divergence: 158.0°)