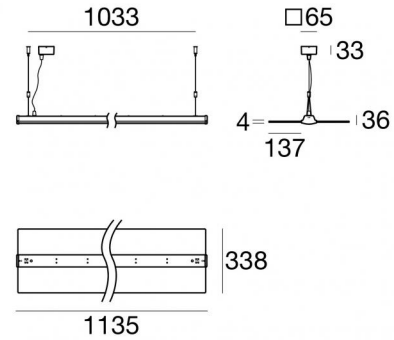


Mini_Albatros



Systems - Pendant Luminaires | 85-277 V
360 topLED 37 W DC - 44 W AC | CRI 90
82834N00



Technical data	
Type	- - Surface
Installation position	Ceiling
Installation environment	Indoor
Light Source	LED
Circuit structure	topLED
Optics	Double Diffused
Light emission direction	downward and upward
Nominal power	37 W DC
Total Power	44 W
Source lumens	4572 lm
Nominal input voltage	220 - 240 V AC
Input voltage range	85 - 277 V AC
Frequency	50 - 60 Hz
CCT / Tone	4000 K
Colour rendering index	90 Ra
C.C. / C.V.	AC
Safety class	1
IP	IP40
IK	IK08
Glow wire test	850°
Direct mounting on normally flammable surfaces	Yes
CE	Yes
Driver included	Driver
Dimmable article	No
Directional	No
Tilting	No
Walk-over	No
Drive-over	No
Cable included	Yes
Cable length	2 m
Resin potting	No
Type of light emission	Double emission
Net weight	4 Kg
Electrostatic discharge protection	Yes
Surge protection	Yes

Finishing casing	
Material	Aluminium
Colour	White
Processing	Coating
Finishing diffuser	
Material	PMMA
Colour	transparent
Cables Pendant Luminaires	
Max cable length	1200 mm



Systems - Pendant Luminaires | 85-277 V | 360 topLED 37 W DC - 44 W AC | CRI 90 | Base
82834N00

Double emission systems or pendant luminaires for indoor application. The natural white LED light source with a double diffused light distribution is composed of 360 topLED LEDs with CCT of 4000 K and a CRI 90; the source luminous flux is 4572 lm, with a 123.6 lm/W nominal luminous efficacy.

The device body is made of aluminium and features a white finish, processed by means of coating; the diffuser is made of pmma. The ingress protection degree is IP40; the total weight is of 4 kg.

The total absorbed power is 44 W. The power supply cable is included and features a 2 m length.

The device features protection class I and can be ceiling-mounted.

Compliant with the EN 60598-1 standard and its specific provisions.

Energy efficiency class

This product contains 8 light sources of energy efficiency class E.

Illuminotechnical Features

Light Output Ratio (LOR)	91 %
Source lumens	4572 lm
Delivered lumens	4182 lm
Consumption	44 W
Luminaire efficacy	95 lm/W
Colour temperature	4000 K
Standard Deviation of Colour Matching	3 Step MacAdam
Colour rendering index	90 Ra

Standard Operating Ambient Temperature	-20 / +50°C
Ordinary temperature on the glass	35°C

LED Life / Failure Ratio

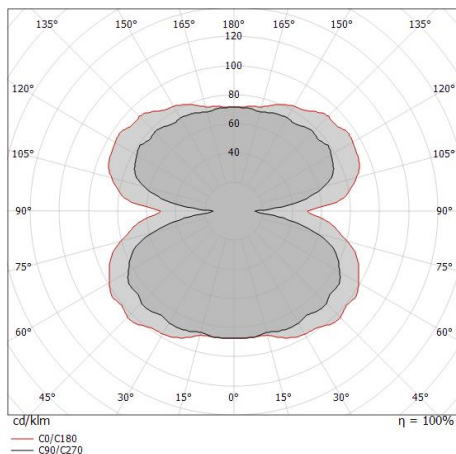
L70 B10 C0 145770h (at Tj 65 Ta 25)

UGR

UGR axial	18.2
UGR transversal	20.3
X=4H Y=8H	S=0.25H
Reflection factor	70/50/20

OPTICAL

C90/C270 optics	158°
C0/C180 optics	178°
Light distribution symmetry	Symmetrical 2 assis

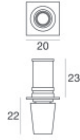


Distance [m]	Cone diameter [m]	illuminance [lx]
0.5	5.14 63.66	E(0°) 1464 E(C90) 5 E(C0) 0
1.0	10.29 127.31	E(0°) 366 E(C90) 1 E(C0) 0
1.5	15.43 190.97	E(0°) 163 E(C90) 1 E(C0) 0
2.0	20.58 254.63	E(0°) 91 E(C90) 0 E(C0) 0
2.5	25.72 318.28	E(0°) 59 E(C90) 0 E(C0) 0
3.0	30.87 381.94	E(0°) 41 E(C90) 0 E(C0) 0

— C0/C180 (Half-peak divergence: 178.2°)
 — C90/C270 (Half-peak divergence: 158.0°)



Mini_Albatros | Pendant Luminaires | Accessories
82834N00



Fixing for false ceilings - White

Material:Brass, colour:White, processing:Coating.

Code

98428