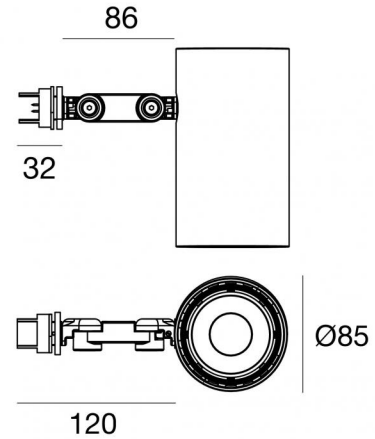


# Tour\_Projectors



Projectors | 1 arrayLED 22 W DC 640 mA | CRI 90  
**82759W15**



Technical data	
Type	Surface
Installation position	Ceiling
Installation environment	Indoor
Light Source	LED
Circuit structure	arrayLED
Optics	Spot
Light emission direction	frontal
Nominal power	22 W DC
Source lumens	3633 lm
CCT / Tone	3000 K
Colour rendering index	90 Ra
C.C. / C.V.	DC
Safety class	2
IP	IP20
Glow wire test	850°
Direct mounting on normally flammable surfaces	Yes
CE	Yes
Dimmable article	No
Directional	Swivelling
total angle (vertical plane)	180 °
total angle (horizontal plane)	360 °
Tilting	No
Walk-over	No
Drive-over	No
Cable included	No
Resin potting	No
Type of light emission	Single emission
Net weight	0.9 Kg
Electrostatic discharge protection	No
Surge protection	No

Finishing casing	
Material	Aluminium
Colour	White
Processing	Coating



Projectors | 1 arrayLED 22 W DC 640 mA | CRI 90 | Base  
**82759W15**

Single emission projectors for indoor application. The warm white LED light source with a spot light distribution is composed of 1 arrayed LEDs with CCT of 3000 K and a CRI 90; the source luminous flux is 3633 lm, with a 165.1 lm/W nominal luminous efficacy.

The device body is made of aluminium and features a white finish, processed by means of coating. The ingress protection degree is IP20; the total weight is of 0.9 kg.

The total absorbed power is 22 W.

The device features protection class II and can be ceiling-mounted.

Compliant with the EN 60598-1 standard and its specific provisions.

### Energy efficiency class

This product contains a light source of energy efficiency class E.

### Illuminotechnical Features

Light Output Ratio (LOR)	74 %
Source lumens	3633 lm
Delivered lumens	2703 lm
Consumption	22 W
Luminaire efficacy	122 lm/W
Colour temperature	3000 K
Standard Deviation of Colour Matching	2 Step MacAdam
Colour rendering index	90 Ra
Colour Rendering Index	60 R9
Black Body Locus	On
Standard Operating Ambient Temperature	-20 / +50°C

### LED Life / Failure Ratio

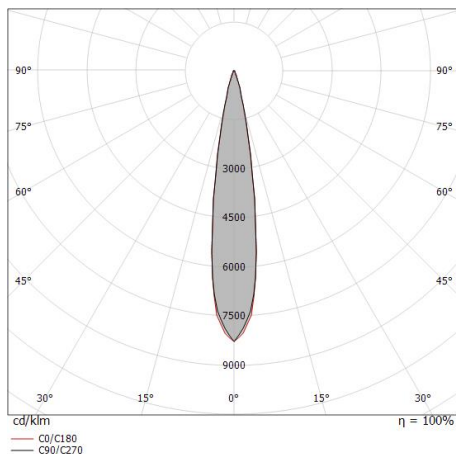
L70 B10 C0 252000h (at Tj 65 Ta 25 )

### UGR

UGR transversal	15.1
UGR axial	15.2
X=4H   Y=8H	S=0.25H
Reflection factor	70/50/20

### OPTICAL

C0/C180 optics	17°
Light distribution simmetry	Symmetrical



Distance [m]	Cone diameter [m]	illuminance [lx]
0.5	0.15	E(0°) 89529 E(C90) 8.8° 43238 E(C0) 8.7° 43839
1.0	0.31	E(0°) 22382 E(C90) 8.8° 10809 E(C0) 8.7° 10960
1.5	0.46	E(0°) 9948 E(C90) 8.8° 4804 E(C0) 8.7° 4871
2.0	0.62	E(0°) 5596 E(C90) 8.8° 2702 E(C0) 8.7° 2740
2.5	0.77	E(0°) 3581 E(C90) 8.8° 1730 E(C0) 8.7° 1754
3.0	0.93	E(0°) 2487 E(C90) 8.8° 1201 E(C0) 8.7° 1218

— C0/C180 (Half-peak divergence: 17.4°)  
— C90/C270 (Half-peak divergence: 17.6°)

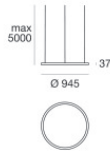
### COLOR VECTOR GRAPHIC





Projectors | 1 arrayLED 22 W DC 640 mA | CRI 90  
**82759W15**

## Components



Tour\_Track

**Code**

82753 - 82754 - 82756 - 82755



	<p>Anti-glare Anti-glare Type: honeycomb louvre. Material:Pom-C, colour:Black.</p>	<p><b>Code</b> <u>C-U300008</u></p>
	<p>Anti-glare Anti-glare Type: 45° cylindrical screen. Material:Pom-C, colour:Black.</p>	<p><b>Code</b> <u>C-U300030</u></p>
	<p>Anti-glare Anti-glare Type: cross louvres. Material:Pom-C, colour:Black.</p>	<p><b>Code</b> <u>C-U300031</u></p>
	<p>Anti-glare Anti-glare Type: cylindrical screen. Material:Pom-C, colour:Black.</p>	<p><b>Code</b> <u>C-U300029</u></p>
	<p>Diffuser Diffuser Type: elliptical filter</p>	<p><b>Code</b> <u>C-U300007</u></p>
	<p>Optics - SPOT Light distribution: spot,Cover material: uv resistant polycarbonate</p>	<p><b>Code</b> <u>C-U300015</u></p>
	<p>Optics - FLOOD Light distribution: flood,Cover material: ,uv resistant polycarbonate,uv resistant polycarbonate,uv resistant polycarbonate</p>	<p><b>Code</b> <u>C-U300016</u></p>
	<p>Optics - WIDE FLOOD Light distribution: medium flood,Cover material: ,uv resistant polycarbonate,uv resistant polycarbonate,uv resistant polycarbonate</p>	<p><b>Code</b> <u>C-U300017</u></p>