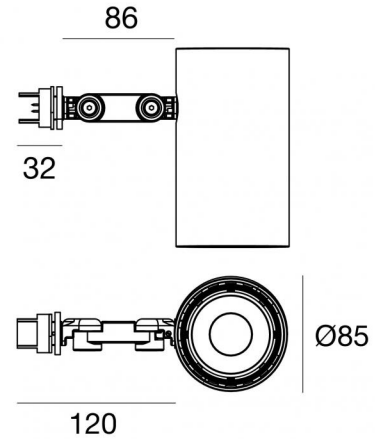


# Tour\_Projectors



Projectors | arrayLED 0 W DC 640 mA | CRI 90  
82759N15



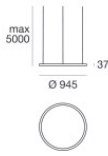
Technical data	
Type	Surface
Installation position	Ceiling
Installation environment	Indoor
Light Source	LED
Circuit structure	arrayLED
Optics	Spot
Light emission direction	frontal
Nominal power	0 W DC
CCT / Tone	4000 K
Colour rendering index	90 Ra
C.C. / C.V.	DC
Safety class	2
IP	IP20
Glow wire test	850°
Direct mounting on normally flammable surfaces	Yes
CE	Yes
Dimmable article	No
Directional	Swivelling
total angle (vertical plane)	180 °
total angle (horizontal plane)	360 °
Tilting	No
Walk-over	No
Drive-over	No
Cable included	No
Resin potting	No
Type of light emission	Single emission
Net weight	0.9 Kg
Electrostatic discharge protection	No
Surge protection	No

Finishing casing	
Material	Aluminium
Colour	White
Processing	Coating



Projectors | arrayLED 0 W DC 640 mA | CRI 90  
**82759N15**

## Components



Tour\_Track

**Code**

82753 - 82754 - 82756 - 82755



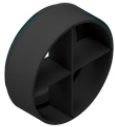
Anti-glare  
Anti-glare Type: honeycomb louvre.  
Material:Pom-C, colour:Black.

**Code**  
C-U300008



Anti-glare  
Anti-glare Type: 45° cylindrical screen.  
Material:Pom-C, colour:Black.

**Code**  
C-U300030



Anti-glare  
Anti-glare Type: cross louvres.  
Material:Pom-C, colour:Black.

**Code**  
C-U300031



Anti-glare  
Anti-glare Type: cylindrical screen.  
Material:Pom-C, colour:Black.

**Code**  
C-U300029



Diffuser  
Diffuser Type: elliptical filter

**Code**  
C-U300007



Optics - SPOT  
Light distribution: spot,Cover material: uv resistant polycarbonate

**Code**  
C-U300015



Optics - FLOOD  
Light distribution: flood,Cover material: ,uv resistant polycarbonate,uv resistant polycarbonate,uv resistant polycarbonate

**Code**  
C-U300016



Optics - WIDE FLOOD  
Light distribution: medium flood,Cover material: ,uv resistant polycarbonate,uv resistant polycarbonate,uv resistant polycarbonate

**Code**  
C-U300017