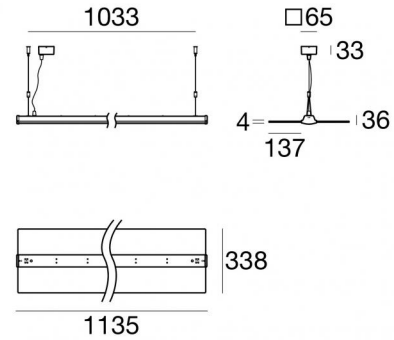


Mini_Albatros



Systems - Pendant Luminaires | 85-277 V
360 topLED 37 W DC - 44 W AC | CRI 90
82749W00



| Technical data | |
|--|---------------------|
| Type | - - Surface |
| Installation position | Ceiling |
| Installation environment | Indoor |
| Light Source | LED |
| Circuit structure | topLED |
| Optics | Double Diffused |
| Light emission direction | downward and upward |
| Nominal power | 37 W DC |
| Total Power | 44 W |
| Source lumens | 4356 lm |
| Nominal input voltage | 220 - 240 V AC |
| Input voltage range | 85 - 277 V AC |
| Frequency | 50 - 60 Hz |
| CCT / Tone | 3500 K |
| Colour rendering index | 90 Ra |
| C.C. / C.V. | AC |
| Safety class | 1 |
| IP | IP40 |
| IK | IK08 |
| Glow wire test | 850° |
| Direct mounting on normally flammable surfaces | Yes |
| CE | Yes |
| Driver included | Driver |
| Dimmable article | DALI |
| Directional | No |
| Tilting | No |
| Walk-over | No |
| Drive-over | No |
| Cable included | Yes |
| Cable length | 2 m |
| Resin potting | No |
| Type of light emission | Double emission |
| Electrostatic discharge protection | Yes |
| Surge protection | Yes |

Finishing casing

| | |
|------------|-----------|
| Material | Aluminium |
| Colour | White |
| Processing | Coating |

Finishing diffuser

| | |
|----------|-------------|
| Material | PMMA |
| Colour | transparent |

Cables Pendant Luminaires

| | |
|------------------|---------|
| Max cable length | 1200 mm |
|------------------|---------|



Systems - Pendant Luminaires | 85-277 V | 360 topLED 37 W DC - 44 W AC | CRI 90 | Base
82749W00

Double emission systems or pendant luminaires for indoor application. The warm white LED light source with a double diffused light distribution is composed of 360 topLEDs with CCT of 3500 K and a CRI 90; the source luminous flux is 4356 lm, with a 117.7 lm/W nominal luminous efficacy.

The device body is made of aluminium and features a white finish, processed by means of coating; the diffuser is made of pmma. The ingress protection degree is IP40;

The total absorbed power is 44 W. The power supply cable is included and features a 2 m length.

The device features protection class I and can be ceiling-mounted.

Compliant with the EN 60598-1 standard and its specific provisions.

Energy efficiency class

This product contains 8 light sources of energy efficiency class E.

Illuminotechnical Features

| | |
|---------------------------------------|----------------|
| Light Output Ratio (LOR) | 91 % |
| Source lumens | 4356 lm |
| Delivered lumens | 3976 lm |
| Consumption | 44 W |
| Luminaire efficacy | 90 lm/W |
| Colour temperature | 3500 K |
| Standard Deviation of Colour Matching | 3 Step MacAdam |
| Colour rendering index | 90 Ra |

| | |
|--|-------------|
| Standard Operating Ambient Temperature | -20 / +50°C |
| Ordinary temperature on the glass | 40°C |

LED Life / Failure Ratio

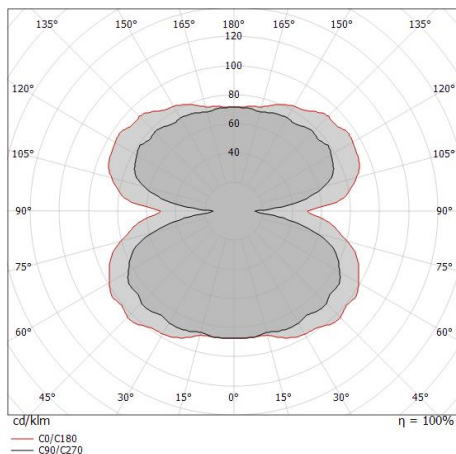
L70 B10 C0 145770h (at Tj 65 Ta 25)

UGR

| | |
|-------------------|----------|
| UGR axial | 18 |
| UGR transversal | 20.1 |
| X=4H Y=8H | S=0.25H |
| Reflection factor | 70/50/20 |

OPTICAL

| | |
|-----------------------------|---------------------|
| C90/C270 optics | 158° |
| C0/C180 optics | 178° |
| Light distribution symmetry | Symmetrical 2 assis |

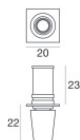


| Distance [m] | Cone diameter [m] | illuminance [lx] |
|--------------|-------------------|-----------------------------------|
| 0.5 | 5.14 63.66 | E(0°) 1392 E(C90) 5 E(C0) 0 |
| 1.0 | 10.29 127.31 | E(0°) 348 E(C90) 1 E(C0) 0 |
| 1.5 | 15.43 190.97 | E(0°) 155 E(C90) 1 E(C0) 0 |
| 2.0 | 20.58 254.63 | E(0°) 87 E(C90) 0 E(C0) 0 |
| 2.5 | 25.72 318.28 | E(0°) 56 E(C90) 0 E(C0) 0 |
| 3.0 | 30.87 381.94 | E(0°) 39 E(C90) 0 E(C0) 0 |

— C0/C180 (Half-peak divergence: 178.2°)
 - - C90/C270 (Half-peak divergence: 158.0°)



Mini_Albatros | Pendant Luminaires | Accessories
82749W00



Fixing for false ceilings - White

Material:Brass, colour:White, processing:Coating.

Code

98428