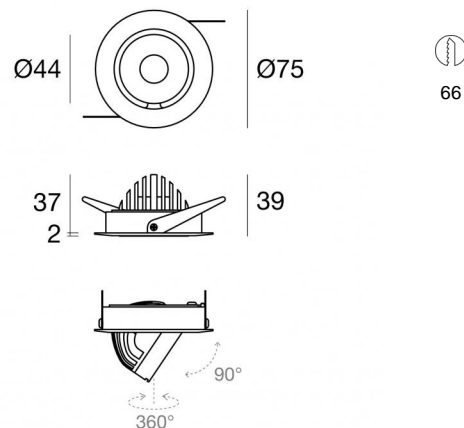




Downlights | 1 x powerLED 4 W DC 350 mA | CRI 90  
**82740N60**




## Technical data


|  |                        |
|--|------------------------|
| Type   | Encasement with flange |
| Installation position                          | Ceiling                |
| Installation environment                       | Indoor                 |
| Light Source                                   | LED                    |
| Circuit structure                              | powerLED               |
| Optics   | Wide Flood             |
| Light emission direction                       | downward               |
| Nominal power                                  | 4 W DC                 |
| Source lumens                                  | 449 lm                 |
| Input voltage range                            | 350mA                  |
| CCT / Tone                                     | 4000 K                 |
| Colour rendering index                         | 90 Ra                  |
| C.C. / C.V.                                    | CC                     |
| Safety class                                   | 3                      |
| IP   | IP20                   |
| Glow wire test                                 | 850°                   |
| Direct mounting on normally flammable surfaces | Yes                    |
| CE   | Yes                    |
| Driver included                                | No                     |
| Dimmable article                               | DALI - 1-10V           |
| Directional                                    | Extractable            |
| total angle (vertical plane)                   | 90 °                   |
| total angle (horizontal plane)                 | 360 °                  |
| Tilting  | No                     |
| Walk-over                                      | No                     |
| Drive-over                                     | No                     |
| Cable included                                 | Yes                    |
| Cable length                                   | 0.2 m                  |
| Resin potting                                  | No                     |
| Type of light emission                         | Single emission        |
| Net weight                                     | 0.1 Kg                 |
| Electrostatic discharge protection             | No                     |
| Surge protection                               | No                     |


## Finishing casing

|            |                                  |
|------------|----------------------------------|
| Material   | Die-cast Aluminium EN AB - 46100 |
| Colour     | Black                            |
| Processing | Powder coating                   |

## Electronics

 89145  
On/Off Driver 198-264V AC / 180-275V DC

 99375  
On/Off Driver 198-264V AC

 C-E100010  
1-10V - 0-10V Controller

 C-E100011  
Push and Simply Dim - DALI-2 Controller



Downlights | 1 x powerLED 4 W DC 350 mA | CRI 90 | Base 82740N60

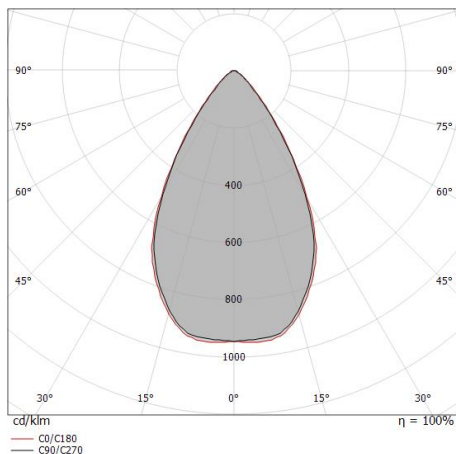
Single emission recessed downlights for indoor application. The natural white LED light source with a wide flood light distribution is composed of 1 powerLED LEDs with CCT of 4000 K and a CRI 90; the source luminous flux is 449 lm, with a 112.3 lm/W nominal luminous efficacy.

The device body is made of die-cast aluminium en ab - 46100 and features a black finish, processed by means of powder coating. The ingress protection degree is IP20; the total weight is of 0.1 kg. The power supply driver is not provided and is to be ordered separately.

The total absorbed power is 4 W. The power supply cable is included and features a 0.2 m length.

The device features protection class III and can be ceiling-mounted, with a 66 mm diameter hole (in plasterboard).

Compliant with the EN 60598-1 standard and its specific provisions.



| Distance [m] | Cone diameter [m] | illuminance [lx]                      |
|--------------|-------------------|---------------------------------------|
| 0.5          | 0.59<br>0.60      | E(0°) 1237<br>E(C90) 396<br>E(C0) 394 |
| 1.0          | 1.18<br>1.20      | E(0°) 309<br>E(C90) 99<br>E(C0) 99    |
| 1.5          | 1.77<br>1.80      | E(0°) 137<br>E(C90) 44<br>E(C0) 44    |
| 2.0          | 2.37<br>2.38      | E(0°) 77<br>E(C90) 25<br>E(C0) 25     |
| 2.5          | 2.96<br>2.99      | E(0°) 49<br>E(C90) 16<br>E(C0) 16     |
| 3.0          | 3.55<br>3.59      | E(0°) 34<br>E(C90) 11<br>E(C0) 11     |

— C0/C180 (Half-peak divergence: 61.8°)  
— C90/C270 (Half-peak divergence: 61.2°)

### Energy efficiency class

This product contains a light source of energy efficiency class F.

### Illuminotechnical Features

|  |                |
|--|----------------|
| Light Output Ratio (LOR)               | 72 %           |
| Source lumens                          | 449 lm         |
| Delivered lumens                       | 327 lm         |
| Consumption                            | 4 W            |
| Luminaire efficacy                     | 81 lm/W        |
| Colour temperature                     | 4000 K         |
| Standard Deviation of Colour Matching  | 3 Step MacAdam |
| Colour rendering index                 | 90 Ra          |
| Black Body Locus                       | On             |
| Standard Operating Ambient Temperature | -20 / +50°C    |
| Ordinary temperature on the glass      | 40°C           |

### LED Life / Failure Ratio

L70 B10 C0 247450h (at Tj 60 Ta 25 )

### UGR

|                   |          |
|-------------------|----------|
| UGR axial         | 26.8     |
| UGR transversal   | 26.9     |
| X=4H   Y=8H       | S=0.25H  |
| Reflection factor | 70/50/20 |

### OPTICAL

|                             |             |
|-----------------------------|-------------|
| C0/C180 optics              | 61°         |
| Light distribution simmetry | Symmetrical |

