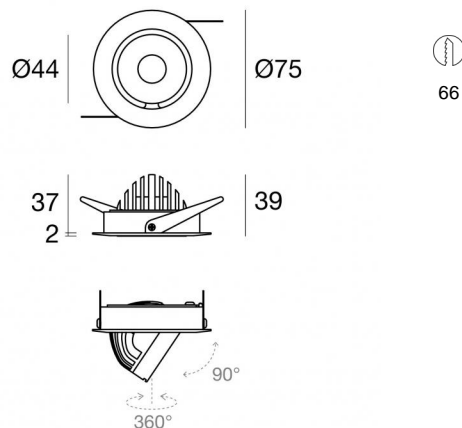




Downlights | 1 x powerLED 4 W DC 350 mA | CRI 90
82739N60



66


Technical data


Type	Encasement with flange
Installation position	Ceiling
Installation environment	Indoor
Light Source	LED
Circuit structure	powerLED
Optics	Wide Flood
Light emission direction	downward
Nominal power	4 W DC
Source lumens	449 lm
Input voltage range	350mA
CCT / Tone	4000 K
Colour rendering index	90 Ra
C.C. / C.V.	CC
Safety class	3
IP	IP20
Glow wire test	850°
Direct mounting on normally flammable surfaces	Yes
CE	Yes
Driver included	No
Dimmable article	DALI - 1-10V
Directional	Extractable
total angle (vertical plane)	90 °
total angle (horizontal plane)	360 °
Tilting	No
Walk-over	No
Drive-over	No
Cable included	Yes
Cable length	0.2 m
Resin potting	No
Type of light emission	Single emission
Net weight	0.1 Kg
Electrostatic discharge protection	No
Surge protection	No


Finishing casing

Material	Die-cast Aluminium EN AB - 46100
Colour	White
Processing	Powder coating

Electronics

 89145
On/Off Driver 198~264V AC / 180~275V DC (1 art.)

 99375
On/Off Driver 198~264V AC (1 - 3 art.)

 C-E100010
1-10V - 0-10V Controller (1 art.)

 C-E100011
Push and Simply Dim - DALI-2 Controller (1 art.)

Cables Electrification

Cable connector No

Downlights | 1 x powerLED 4 W DC 350 mA | CRI 90 | Base
82739N60

Single emission recessed downlights for indoor application. The natural white LED light source with a wide flood light distribution is composed of 1 powerLED LEDs with CCT of 4000 K and a CRI 90; the source luminous flux is 449 lm, with a 112.3 lm/W nominal luminous efficacy.

The device body is made of die-cast aluminium en ab - 46100 and features a white finish, processed by means of powder coating. The ingress protection degree is IP20; the total weight is of 0.1 kg. The power supply driver is not provided and is to be ordered separately.

The total absorbed power is 4 W. The power supply cable is included and features a 0.2 m length.

The device features protection class III and can be ceiling-mounted, with a 66 mm diameter hole (in plasterboard).

Compliant with the EN 60598-1 standard and its specific provisions.

Energy efficiency class

This product contains a light source of energy efficiency class F.

Illuminotechnical Features

Light Output Ratio (LOR)	81 %
Source lumens	449 lm
Delivered lumens	364 lm
Consumption	4 W
Luminaire efficacy	91 lm/W
Colour temperature	4000 K
Standard Deviation of Colour Matching	3 Step MacAdam
Colour rendering index	90 Ra
Black Body Locus	On
Standard Operating Ambient Temperature	-20 / +50°C
Ordinary temperature on the glass	40°C

LED Life / Failure Ratio

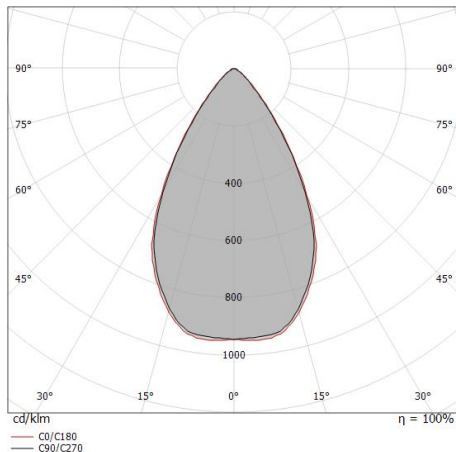
L70 B10 C0 247450h (at Tj 60 Ta 25)

UGR

UGR axial	27.1
UGR transversal	27.2
X=4H Y=8H	S=0.25H
Reflection factor	70/50/20

OPTICAL

C0/C180 optics	61°
Light distribution symmetry	Symmetrical



Distance [m]	Cone diameter [m]	Illuminance [lx]
0.5	0.59 0.60	E(0°) 1374 E(C90) 30.6° 440 E(C0) 30.9° 438
1.0	1.18 1.20	E(0°) 344 E(C90) 30.6° 110 E(C0) 30.9° 110
1.5	1.77 1.80	E(0°) 153 E(C90) 30.6° 49 E(C0) 30.9° 49
2.0	2.37 2.38	E(0°) 86 E(C90) 30.6° 27 E(C0) 30.9° 27
2.5	2.96 2.99	E(0°) 55 E(C90) 30.6° 18 E(C0) 30.9° 18
3.0	3.55 3.59	E(0°) 38 E(C90) 30.6° 12 E(C0) 30.9° 12

— C0/C180 (Half-peak divergence: 61.8°)
— C90/C270 (Half-peak divergence: 61.2°)

COLOR VECTOR GRAPHIC

