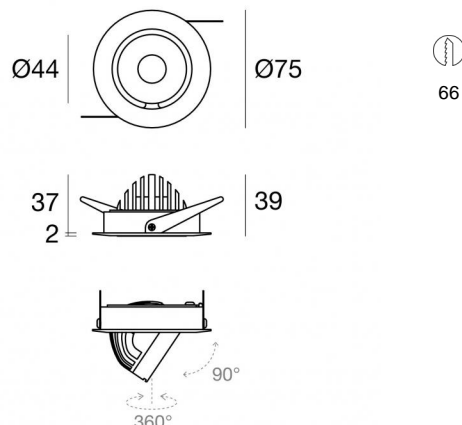




Downlights | 1 x powerLED 4 W DC 350 mA | CRI 90  
**82739N30**




## Technical data


Type	Encasement with flange
Installation position	Ceiling
Installation environment	Indoor
Light Source	LED
Circuit structure	powerLED
Optics	Medium Flood
Light emission direction	downward
Nominal power	4 W DC
Source lumens	449 lm
Input voltage range	350mA
CCT / Tone	4000 K
Colour rendering index	90 Ra
C.C. / C.V.	CC
Safety class	3
IP	IP20
Glow wire test	850°
Direct mounting on normally flammable surfaces	Yes
CE	Yes
Driver included	No
Dimmable article	DALI - 1-10V
Directional	Extractable
total angle (vertical plane)	90 °
total angle (horizontal plane)	360 °
Tilting	No
Walk-over	No
Drive-over	No
Cable included	Yes
Cable length	0.2 m
Resin potting	No
Type of light emission	Single emission
Net weight	0.1 Kg
Electrostatic discharge protection	No
Surge protection	No


## Finishing casing

Material	Die-cast Aluminium EN AB - 46100
Colour	White
Processing	Powder coating

## Electronics

 89145  
On/Off Driver 198~264V AC / 180~275V DC (1 art.)

 99375  
On/Off Driver 198~264V AC (2 - 3 art.)

 C-E100010  
1-10V - 0-10V Controller (1 art.)

 C-E100011  
Push and Simply Dim - DALI-2 Controller (1 art.)

## Cables Electrification

Cable connector	No
-----------------	----

Downlights | 1 x powerLED 4 W DC 350 mA | CRI 90 | Base 82739N30

Single emission recessed downlights for indoor application. The natural white LED light source with a medium flood light distribution is composed of 1 powered LEDs with CCT of 4000 K and a CRI 90; the source luminous flux is 449 lm, with a 112.3 lm/W nominal luminous efficacy.

The device body is made of die-cast aluminium en ab - 46100 and features a white finish, processed by means of powder coating. The ingress protection degree is IP20; the total weight is of 0.1 kg. The power supply driver is not provided and is to be ordered separately.

The total absorbed power is 4 W. The power supply cable is included and features a 0.2 m length.

The device features protection class III and can be ceiling-mounted, with a 66 mm diameter hole (in plasterboard).

Compliant with the EN 60598-1 standard and its specific provisions.

### Energy efficiency class

This product contains a light source of energy efficiency class F.

### Illuminotechnical Features

Light Output Ratio (LOR)	71 %
Source lumens	449 lm
Delivered lumens	319 lm
Consumption	4 W
Luminaire efficacy	79 lm/W
Colour temperature	4000 K
Standard Deviation of Colour Matching	3 Step MacAdam
Colour rendering index	90 Ra
Black Body Locus	On
Standard Operating Ambient Temperature	-20 / +50°C
Ordinary temperature on the glass	40°C

### LED Life / Failure Ratio

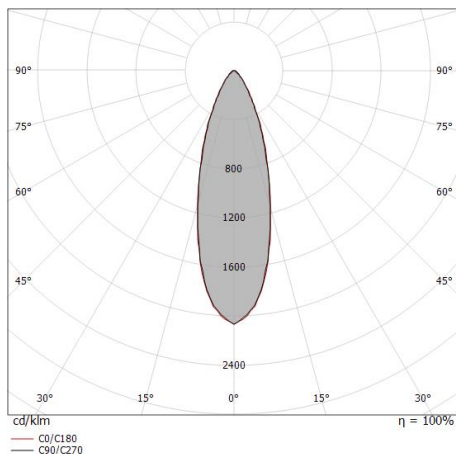
L70 B10 C0 247450h (at Tj 60 Ta 25)

### UGR

UGR axial	25.9
UGR transversal	25.9
X=4H   Y=8H	S=0.25H
Reflection factor	70/50/20

### OPTICAL

C0/C180 optics	33°
Light distribution symmetry	Symmetrical



Distance [m]	Cone diameter [m]	illuminance [lx]
0.5	0.29 0.29	E(0°) 2631 E(C90) 1164 E(C0) 1168
1.0	0.58 0.59	E(0°) 658 E(C90) 291 E(C0) 292
1.5	0.88 0.88	E(0°) 292 E(C90) 129 E(C0) 130
2.0	1.17 1.18	E(0°) 164 E(C90) 73 E(C0) 73
2.5	1.46 1.47	E(0°) 105 E(C90) 47 E(C0) 47
3.0	1.75 1.77	E(0°) 73 E(C90) 32 E(C0) 32

— C0/C180 (Half-peak divergence: 32.8°)  
— C90/C270 (Half-peak divergence: 32.6°)

### COLOR VECTOR GRAPHIC

