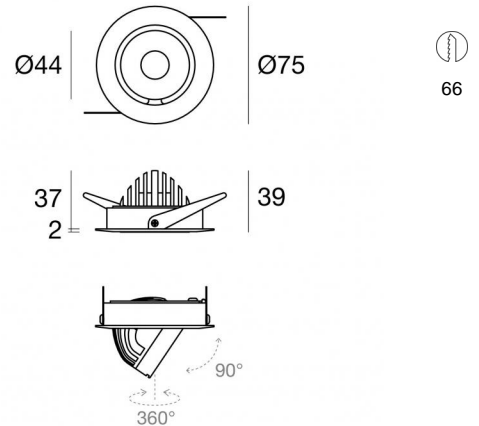




Downlights | 1 x powerLED 4 W DC 350 mA | CRI 90
82739M60




Technical data	
Type	Encasement with flange
Installation position	Ceiling
Installation environment	Indoor
Light Source	LED
Circuit structure	powerLED
Optics	Wide Flood
Light emission direction	downward
Nominal power	4 W DC
Source lumens	389 lm
Input voltage range	350mA
CCT / Tone	2700 K
Colour rendering index	90 Ra
C.C. / C.V.	CC
Safety class	3
IP	IP20
Glow wire test	850°
Direct mounting on normally flammable surfaces	Yes
CE	Yes
Driver included	No
Dimmable article	DALI - 1-10V
Directional	Extractable
total angle (vertical plane)	90 °
total angle (horizontal plane)	360 °
Tilting	No
Walk-over	No
Drive-over	No
Cable included	Yes
Cable length	0.2 m
Resin potting	No
Type of light emission	Single emission
Net weight	0.1 Kg
Electrostatic discharge protection	No
Surge protection	No

Finishing casing

Material	Die-cast Aluminium EN AB - 46100
Colour	White
Processing	Powder coating

Electronics

	89145 On/Off Driver 198~264V AC / 180~275V DC (1 art.)
	99375 On/Off Driver 198~264V AC (1 - 3 art.)
	C-E100010 1-10V - 0-10V Controller (1 art.)
	C-E100011 Push and Simply Dim - DALI-2 Controller (1 art.)



Downlights | 1 x powerLED 4 W DC 350 mA | CRI 90 | Base 82739M60

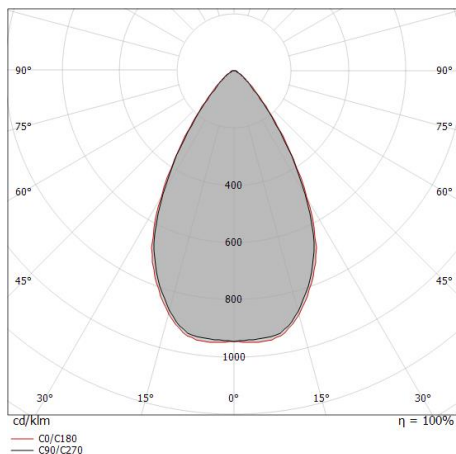
Single emission recessed downlights for indoor application. The super warm white LED light source with a wide flood light distribution is composed of 1 powerLED LEDs with CCT of 2700 K and a CRI 90; the source luminous flux is 389 lm, with a 97.3 lm/W nominal luminous efficacy.

The device body is made of die-cast aluminium en ab - 46100 and features a white finish, processed by means of powder coating. The ingress protection degree is IP20; the total weight is of 0.1 kg. The power supply driver is not provided and is to be ordered separately.

The total absorbed power is 4 W. The power supply cable is included and features a 0.2 m length.

The device features protection class III and can be ceiling-mounted, with a 66 mm diameter hole (in plasterboard).

Compliant with the EN 60598-1 standard and its specific provisions.



Distance [m]	Cone diameter [m]	illuminance [lx]
0.5	0.59 0.60	E(0°) 1191 E(C90) 381 E(C0) 380
1.0	1.18 1.20	E(0°) 298 E(C90) 95 E(C0) 95
1.5	1.77 1.80	E(0°) 132 E(C90) 42 E(C0) 42
2.0	2.37 2.38	E(0°) 74 E(C90) 24 E(C0) 24
2.5	2.96 2.99	E(0°) 48 E(C90) 15 E(C0) 15
3.0	3.55 3.59	E(0°) 33 E(C90) 11 E(C0) 11

— C0/C180 (Half-peak divergence: 61.8°)
— C90/C270 (Half-peak divergence: 61.2°)

Energy efficiency class

This product contains a light source of energy efficiency class F.

Illuminotechnical Features

Light Output Ratio (LOR)	80 %
Source lumens	389 lm
Delivered lumens	315 lm
Consumption	4 W
Luminaire efficacy	78 lm/W
Colour temperature	2700 K
Standard Deviation of Colour Matching	3 Step MacAdam
Colour rendering index	90 Ra
Black Body Locus	On
Standard Operating Ambient Temperature	-20 / +50°C
Ordinary temperature on the glass	40°C

LED Life / Failure Ratio

L70 B10 C0 247450h (at Tj 60 Ta 25)

UGR

UGR axial	26.6
UGR transversal	26.7
X=4H Y=8H	S=0.25H
Reflection factor	70/50/20

OPTICAL

C0/C180 optics	61°
Light distribution simmetry	Symmetrical

