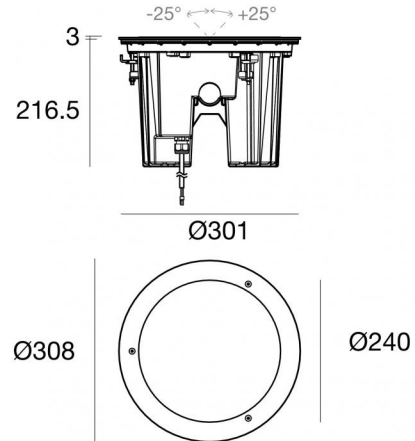




Uplights | 100-264 V AC /170-280 V DC
6 x powerLED 44.2 W DC - 48.2 W AC | CRI 80
82722N06



Technical data	
Type	Drive Over
Installation position	Floor
Installation environment	Outdoor
Light Source	LED
Circuit structure	powerLED
Optics	Ultra Spot
Light emission direction	upward
Nominal power	44.2 W DC
Total Power	48.2 W
Source lumens	5235 lm
Nominal input voltage	220 - 240 V AC
Input voltage range	100 - 264 V AC
Frequency	50 - 60 Hz
CCT / Tone	4000 K
Colour rendering index	80 Ra
C.C. / C.V.	AC
Safety class	1
IP	IP68
Installation limitations	Not for underwater use
IK	IK10
Glow wire test	850°
Direct mounting on normally flammable surfaces	No
CE	Yes
Driver included	Driver
Dimmable article	DALI
Directional	No
Tilting	Yes
total angle (vertical plane)	50 °
Walk-over	Yes
Drive-over	5000 Kg
Cable included	Yes
Cable length	1 m
Resin potting	Yes
Type of light emission	Single emission
Net weight	8 Kg
Electrostatic discharge protection	Yes
Surge protection	3 KV
Product technological characteristics	Acquastop

Finishing casing

Material	Die-cast Aluminium EN AB - 46100
Colour	black
Processing	Open pore anodizing + Powder Coating

Finishing diffuser

Material	Extra clear glass - Tempered
Colour	transparent
Processing	Silk-screening

Finishing flange

Material	AISI 316 steel
Colour	steel
Processing	Brushing

Cables Electrification+signal

Cable connector	No
-----------------	----

The driver contained in the device complies with IEC 61347-2-13 annex J, and can therefore be powered by centralized power systems.



Uplights | 100-264 V AC /170-280 V DC | 6 x powerLED 44.2 W DC - 48.2 W AC | CRI 80 |
Base
82722N06

Single emission uplights for outdoor application. The natural white LED light source with a ultra spot light distribution is composed of 6 powered LEDs with CCT of 4000 K and a CRI 80; the source luminous flux is 5235 lm, with a 118.4 lm/W nominal luminous efficacy.

The device body is made of die-cast aluminium en ab - 46100 and features a black finish, processed by means of open pore anodizing + powder coating; the diffuser is made of extra clear glass - tempered with a silk-screening treatment. The ingress protection degree is IP68; the total weight is of 8 kg.

The total absorbed power is 48.2 W. The power supply cable is included and features a 1 m length.

The device features protection class I and can be floor-mounted with an outer casing, code 83096(for concrete or masonry).

Compliant with the EN 60598-1 standard and its specific provisions.

Energy efficiency class

This product contains a light source of energy efficiency class E.

Illuminotechnical Features

Light Output Ratio (LOR)	66 %
Source lumens	5235 lm
Delivered lumens	3466 lm
Consumption	48.2 W
Luminaire efficacy	71 lm/W
Colour temperature	4000 K
Standard Deviation of Colour Matching	3 Step MacAdam
Colour rendering index	80 Ra

Standard Operating Ambient Temperature	-20 / +50°C
Ordinary temperature on the glass	65°C

LED Life / Failure Ratio

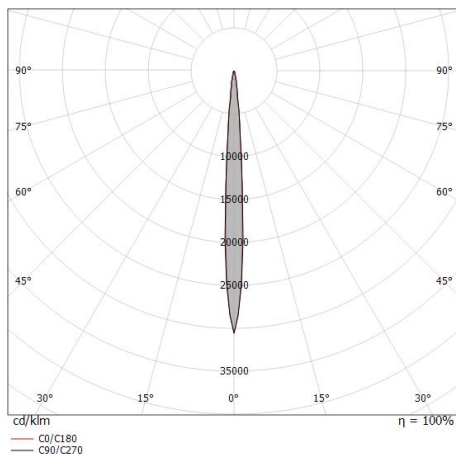
L70 B10 C0 247450h (at Tj 60 Ta 25)

UGR

UGR axial	5.4
UGR transversal	5.3
X=4H Y=8H	S=0.25H
Reflection factor	70/50/20

OPTICAL

C0/C180 optics	7°
Light distribution simmetry	Symmetrical



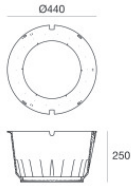
Distance [m]	Cone diameter [m]	illuminance [lx]
0.5	0.07 0.06	E(0°) 423276 E(C90) 3.8° 210608 E(C0) 3.6° 216114
1.0	0.13 0.13	E(0°) 105819 E(C90) 3.8° 52652 E(C0) 3.6° 54029
1.5	0.20 0.19	E(0°) 47031 E(C90) 3.8° 23401 E(C0) 3.6° 24013
2.0	0.27 0.25	E(0°) 26455 E(C90) 3.8° 13163 E(C0) 3.6° 13507
2.5	0.33 0.31	E(0°) 16931 E(C90) 3.8° 8424 E(C0) 3.6° 8645
3.0	0.40 0.38	E(0°) 11758 E(C90) 3.8° 5850 E(C0) 3.6° 6003

Distance [m] Cone diameter [m] illuminance [lx]

— C0/C180 (Half-peak divergence: 7.2°)
— C90/C270 (Half-peak divergence: 7.6°)



Suelo_RXFJ | Uplights | Accessories
82722N06



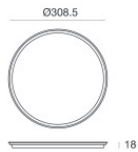
Outer casing

installation position: floor, land; type of installation: masonry L=440mm, H=250mm, D=440mm.

Material:ABS Plastic, colour:black.

Code

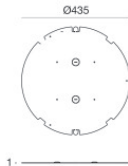
83096



Template

Code

83098



Accessories for outer casings - Caseback for outercasing

Material:Galvanised Iron, colour:grey, processing:Galvanising.

Code

93099